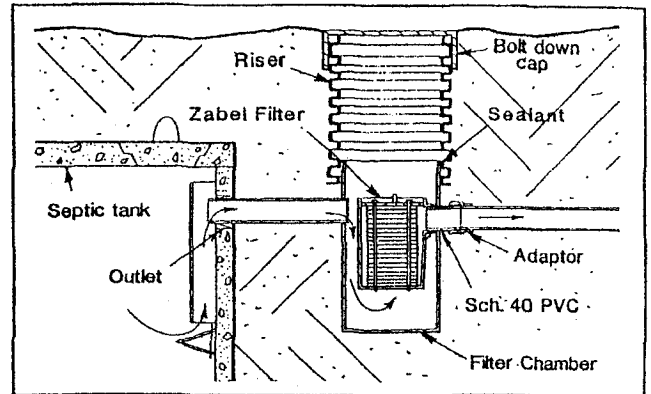


Installing Filters in Difficult Places

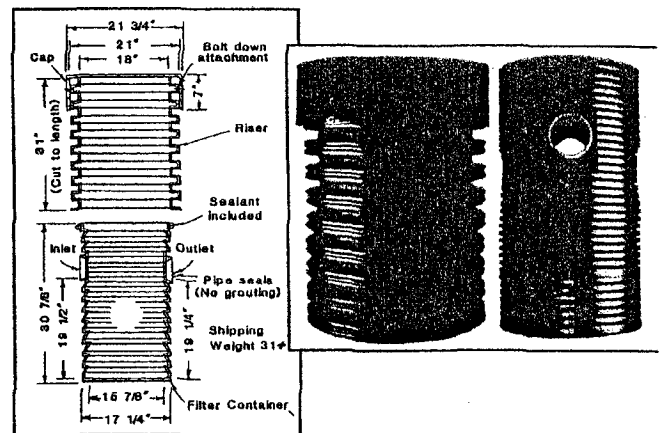
There are several techniques for achieving a successful installation in problem situations. Most of these situations can be handled successfully by using the following techniques.

Retrofitting Zabel Filters:

Any Zabel Filter can be retrofitted to existing onsite waste water applications. The first method is to uncover the existing tank at the outlet end, remove the access lid and inset an A1800 Cartridge in the existing outlet tee or replace the existing outlet tee with the appropriate Zabel Filter.

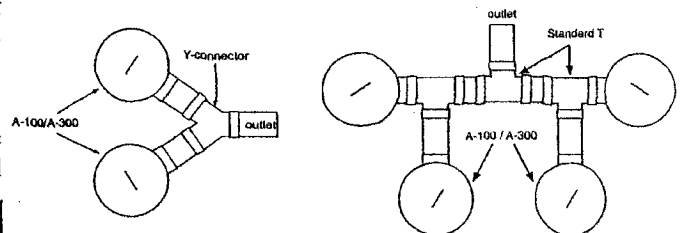


Where this is not practical, a Zabel Filter can be retrofitted using a Model CA100 Container Assembly. Cut the existing 4" PVC line at the outlet end of the existing tank and use the installation kit that comes with the CA100 to install the unit. The Container Assembly includes everything you need - Filter Container, Adjustable Riser, Riser Lid, Lid Screws, Schedule 35 & Schedule 40 Pipe Seals and Sealant.

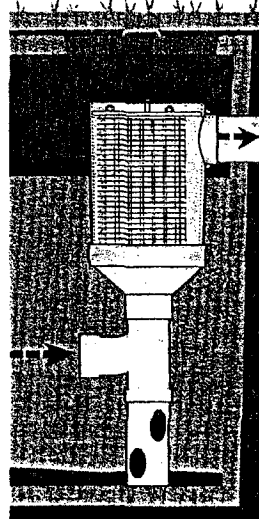


Supplementary Support Method for Installing Zabel Filters:

Installing two or more Zabel Filters in one tank, 18 inches or more from the end of the tank or in high strength waste applications such as restaurants or dog kennels sometimes requires additional support to handle the weight of the filter. Supplementary support can be achieved by following these directions.



Solvent weld the reducer to the bottom of the filter case using two pieces of Schedule 40 pipe with an inverted Sanitary Tee located at the clear zone level, extend to the bottom of the tank for support. Make sure the pipe exiting the filter and extending through the tank wall is level. Cut four or more two inch holes in the PVC pipe below the Sanitary Tee to prevent sludge build up in the pipe.



A Filter Adapter Ring Model FAR-RNG should be used where Schedule 40 pipe can not be extended through the tank end wall.

