

STANDARD FEATURES:

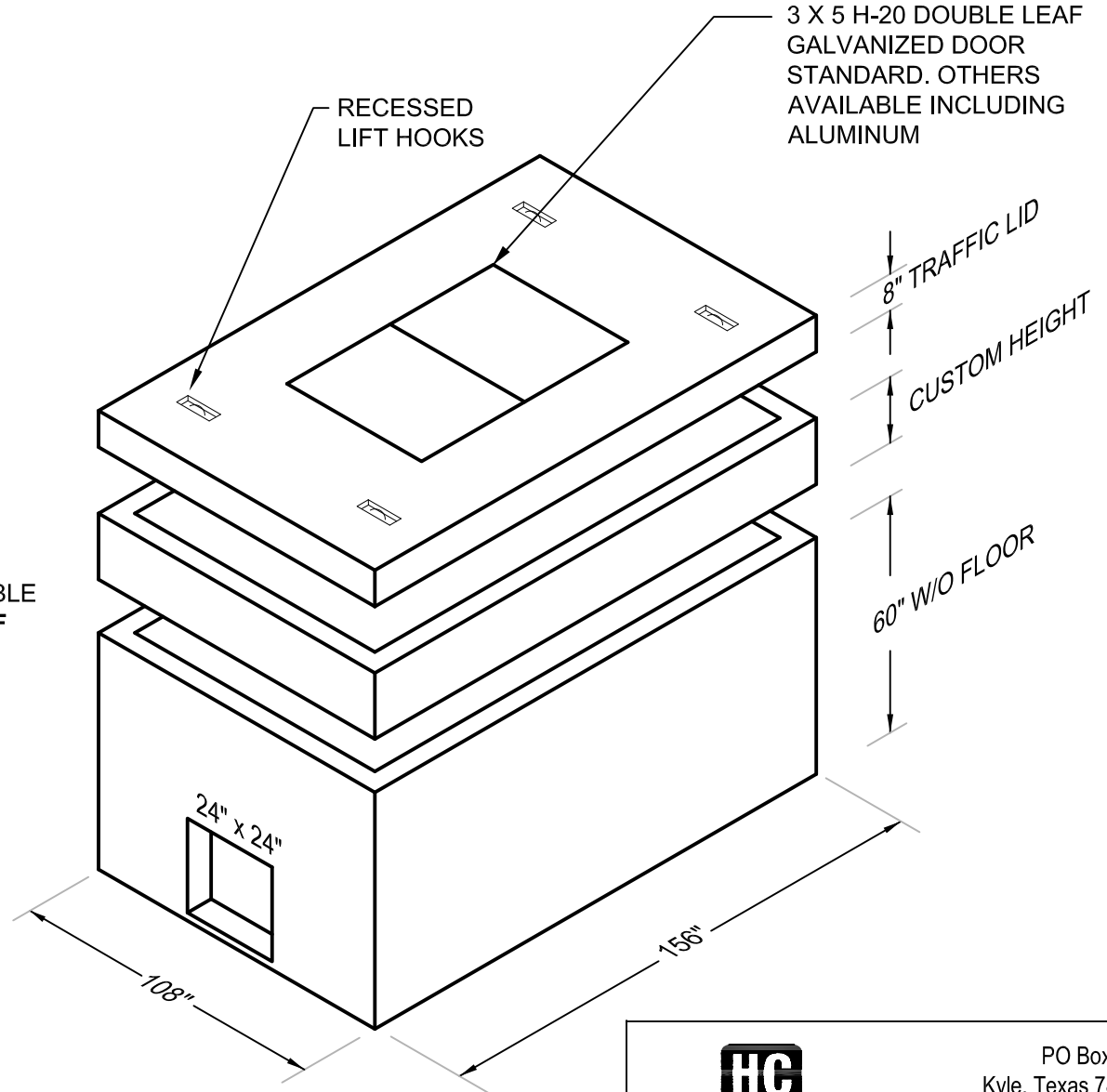
- 4500 PSI CONCRETE
- GRADE 60 REINFORCING
- AASHTO H-20 RATED
- 8" AASHTO H-20 TRAFFIC BEARING LID
- 6" WALLS
- STANDARD 24" x 24" KNOCKOUTS
(VARIABLE KNOCKOUTS AVAILABLE)

WEIGHT (APPROXIMATE):

BASE W/O FLOOR	16,286 LBS
12" EXTENSION	3,250 LBS
24" EXTENSION	6,500 LBS
8" LID	12,315 LBS

NOTES:

- VARIOUS CASTINGS, GRATES, DOORS AVAILABLE
- CUSTOM HEIGHT EXTENSIONS AVAILABLE
- **MAXIMUM BURY DEPTH TO BOTTOM OF VAULT: 8 FT**

**8 X 12 UTILITY VAULT**

HILL COUNTRY
CONCRETE PRODUCTS, INC.

PO Box 357
Kyle, Texas 78640
512.268.9711
Austin Line 512.476.5838
Fax 512.268.0215
hillcountryconcrete.com