

**STANDARD FEATURES**

4500 PSI CONCRETE  
GRADE 60 REINFORCING

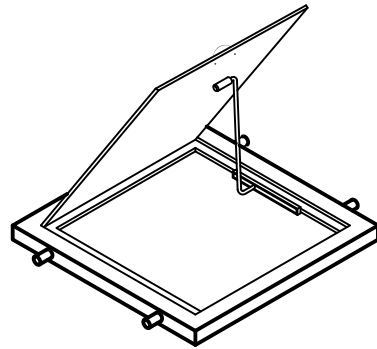
**BASE SECTION**

AASHTO H-20 RATING  
4" WALLS FOR DEPTHS TO 6 FT.  
6" WALLS FOR DEPTHS TO 10 FT.  
VARIABLE KNOCKOUTS  
AVAILABLE OPTIONAL FLOOR

**LID SECTION**

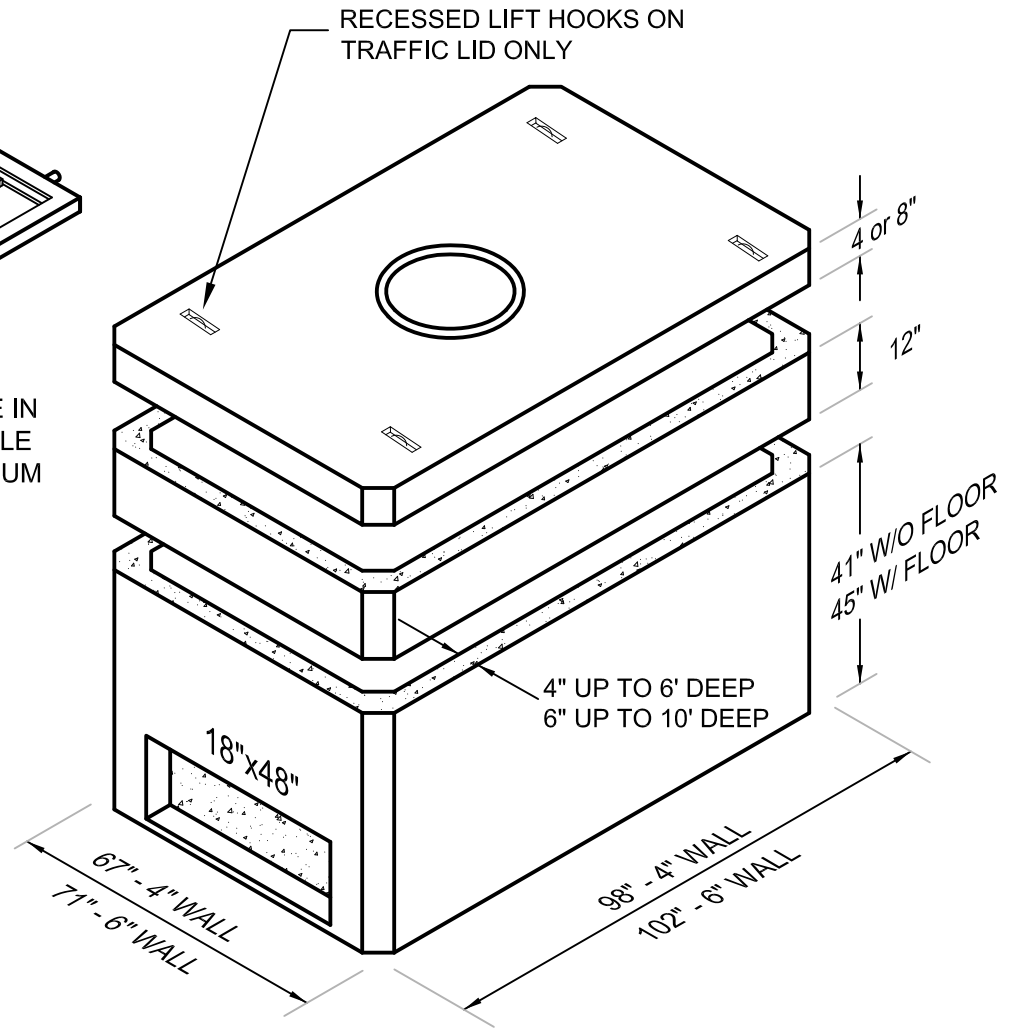
8" AASHTO H-20 RATING  
4" NON-TRAFFIC  
VARIOUS CASTINGS, GRATES, DOORS AVAILABLE

<b>WEIGHT (APPROX)</b>	<b>4" WALL</b>	<b>6" WALL</b>
BASE WITH FLOOR	6600 LBS.	10500 LBS.
BASE W/O FLOOR	4400 LBS.	6600 LBS.
12" EXTENSION	1400 LBS.	
4" LID	2400 LBS.	
8" LID	4800 LBS.	



**DOOR**

DOORS AVAILABLE IN  
SINGLE AND DOUBLE  
STEEL AND ALUMINUM



**5 X 7 UTILITY VAULT**

<p><b>HILL COUNTRY</b> CONCRETE PRODUCTS, INC.</p>	PO Box 357
	Kyle, Texas 78640
	512.268.9711
	Austin Line 512.476.5838
	Fax 512.268.0215
	hillcountryconcrete.com