

DATE: 10/19/07

DRAWING NAME: HCCP_UV-5X5

STANDARD FEATURES

4500 PSI CONCRETE
GRADE 60 REINFORCING

BASE SECTION

AASHTO H-20 RATING
4" WALLS FOR DEPTHS TO 10 FT.
VARIABLE KNOCKOUTS AVAILABLE
OPTIONAL FLOOR

LID SECTION

8" AASHTO H-20 RATING
4" NON-TRAFFIC STANDARD
VARIOUS CASTINGS, GRATES, DOORS AVAILABLE

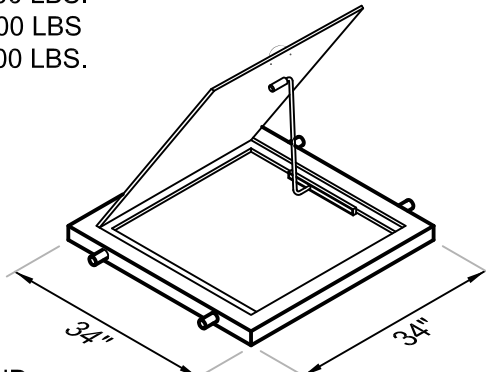
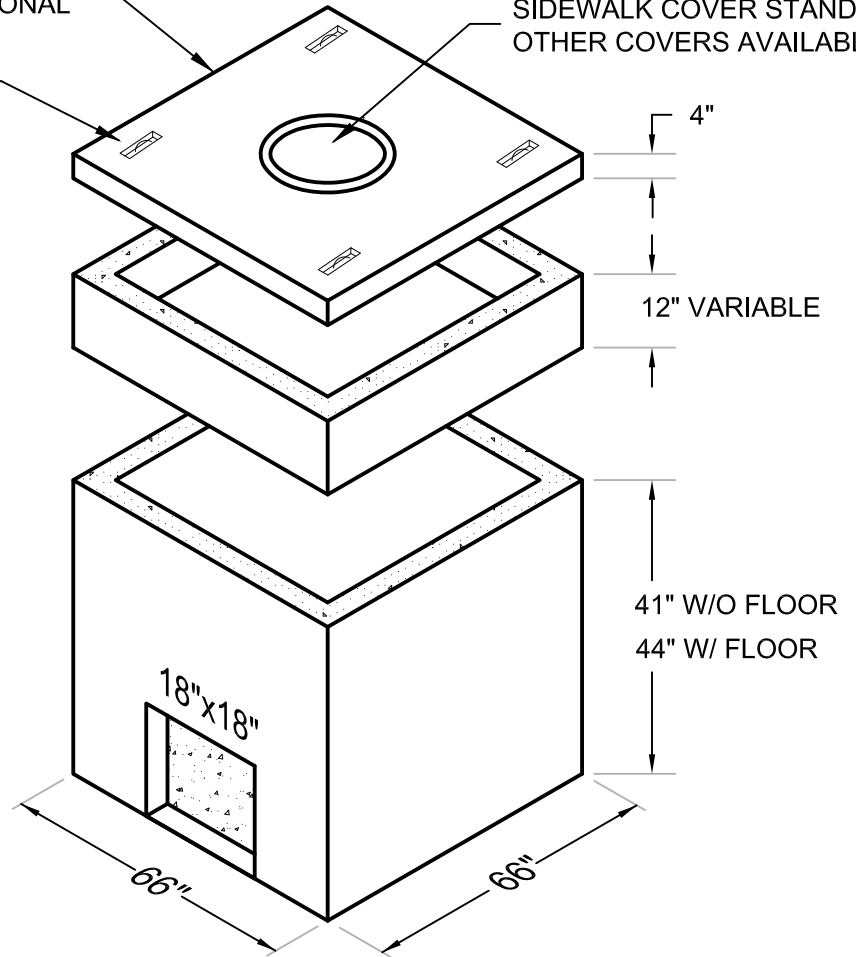
WEIGHT (APPROXIMATE)

BASE WITH FLOOR	5200 LBS.
BASE W/O FLOOR	3700 LBS.
NON-TRAFFIC LID	1600 LBS.
TRAFFIC LID	3300 LBS.
12" EXTENSION	1200 LBS.

NON TRAFFIC LID STANDARD
TRAFFIC LID OPTIONAL

RECESSED LIFT
HOOKS ON
TRAFFIC LID ONLY

SIDEWALK COVER STANDARD
OTHER COVERS AVAILABLE



30x30 STEEL AND
ALUMINUM DOORS
AVAILABLE

DOOR

5 X 5 UTILITY VAULT

HILL COUNTRY
CONCRETE PRODUCTS, INC.

PO Box 357
Kyle, Texas 78640
512.268.9711
Austin Line 512.476.5838
Fax 512.268.0215
hillcountryconcrete.com

5 X 5 UTILITY VAULT