

**STANDARD FEATURES**

4500 PSI CONCRETE  
GRADE 60 REINFORCING BARS

**BASE SECTION**

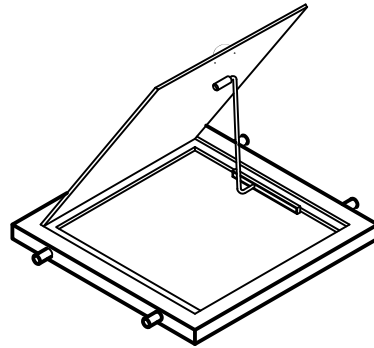
AASHTO H-20 RATING  
4" WALLS FOR DEPTHS TO 6 FT.  
6" WALLS FOR DEPTHS TO 10 FT.  
STANDARD 18" X 48" KNOCKOUTS  
VARIABLE KNOCKOUTS AVAILABLE  
OPTIONAL FLOOR

**LID SECTION**

8" AASHTO H-20 RATING  
4" NON-TRAFFIC  
VARIOUS CASTINGS, GRATES, DOORS AVAILABLE

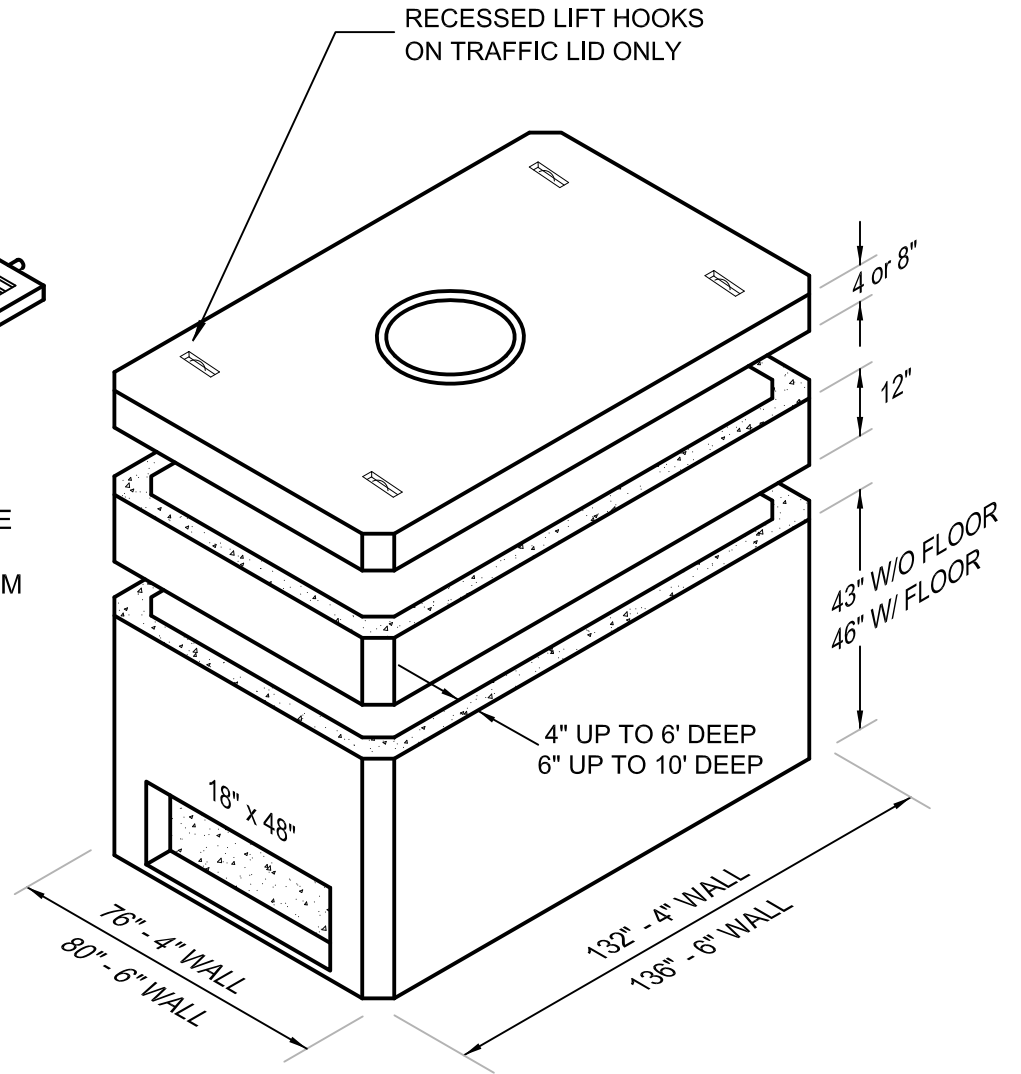
**WEIGHT (APPROX)**

	<u>4" WALL</u>	<u>6" WALL</u>
BASE WITH FLOOR	9000 LBS.	13900 LBS.
BASE W/O FLOOR	5600 LBS.	8600 LBS.
12" EXTENSION	1800 LBS.	
4" LID	3500 LBS.	
8" LID	7000 LBS.	



**DOOR**

SINGLE AND DOUBLE  
DOORS AVAILABLE  
STEEL AND ALUMINUM



**5 1/2 X 10 UTILITY VAULT**

<p><b>HILL COUNTRY</b> CONCRETE PRODUCTS, INC.</p>	PO Box 357
	Kyle, Texas 78640
	512.268.9711
	Austin Line 512.476.5838
	Fax 512.268.0215
	hillcountryconcrete.com