

STANDARD FEATURES - BASE SECTION

- 4500 P.S.I. CONCRETE
- GRADE 60 REINFORCING
- 4" WALLS
- 12"X24" KNOCKOUTS ALL SIDES

STANDARD FEATURES - LID SECTION

- 4" NON-TRAFFIC LID
- 4500 P.S.I. CONCRETE
- GRADE 60 REINFORCING
- BROOM FINISH LID SLAB

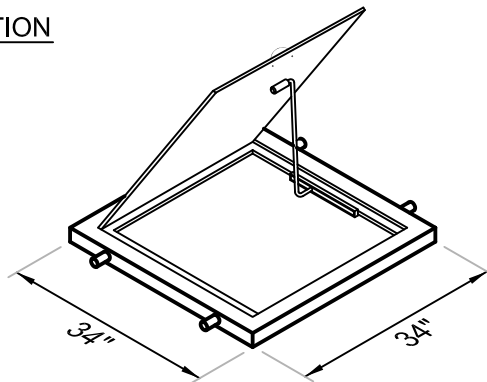
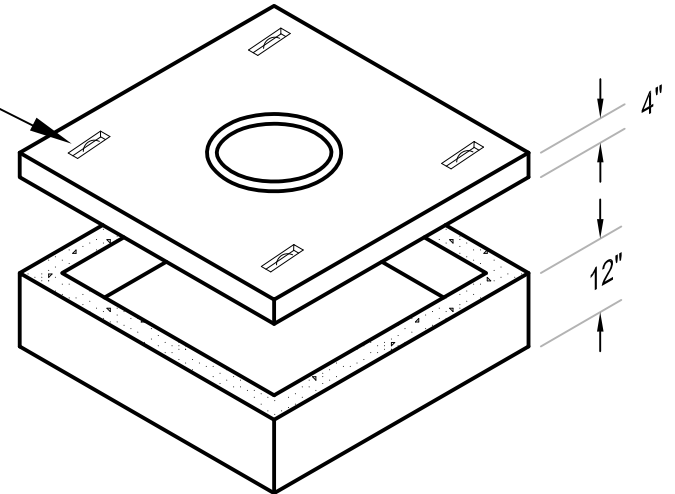
OPTIONS

- 8" TRAFFIC LID
- BASE EXTENSIONS
- 30"X30" DOOR
- 24" CAST IRON MANHOLE COVER
- 3" FLOOR
- VARIABLE KNOCKOUTS

WEIGHT (APPROXIMATE)

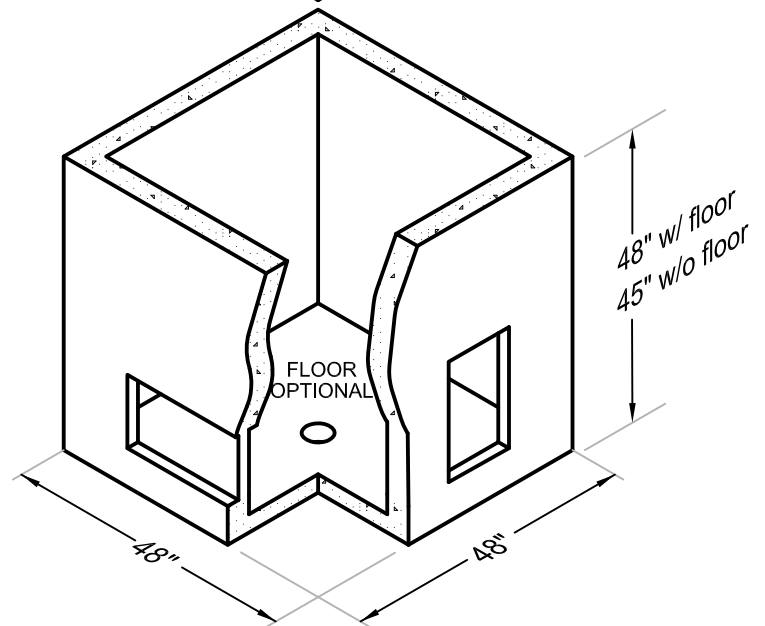
BASE W/O FLOOR	2750 LBS.
BASE WITH FLOOR	3500 LBS.
NON-TRAFFIC LID	800 LBS.
TRAFFIC LID	1400 LBS.
12" EXTENSION	800 LBS.

RECESSED LIFT HOOKS  
ON TRAFFIC LID ONLY



DOOR

30x30 STEEL AND  
ALUMINUM DOORS  
AVAILABLE



**40" X 40" UTILITY VAULT**



**HILL COUNTRY**  
CONCRETE PRODUCTS, INC.

PO Box 357  
Kyle, Texas 78640  
512.268.9711  
Austin Line 512.476.5838  
Fax 512.268.0215  
hillcountryconcrete.com