

STANDARD FEATURES:

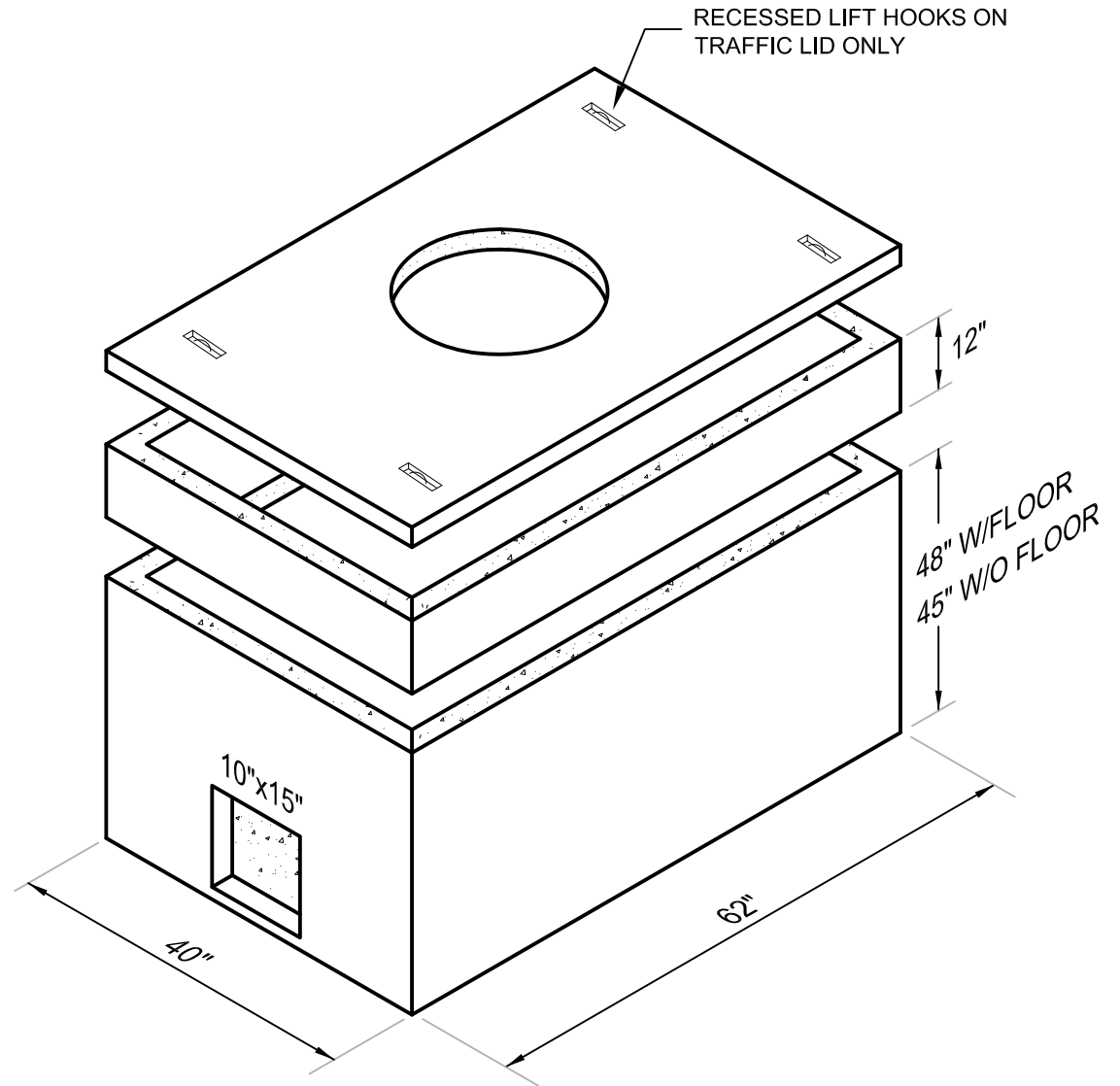
- 90 GAL/FT CAPACITY
- 4500 PSI CONCRETE
- GRADE 60 REINFORCING BARS
- 4" WALLS
- 4" NON TRAFFIC LID STANDARD

OPTIONAL FEATURES:

- 8" AASHTO H-20 TRAFFIC BEARING LID
- 3" FLOOR
- EXTENSION SECTION
- 30"X30" STEEL AND ALUMINUM DOORS AVAILABLE

WEIGHT (APPROXIMATE):

|                    |          |
|--------------------|----------|
| BASE WITH FLOOR    | 3800 LBS |
| BASE W/O FLOOR     | 3000 LBS |
| 4" NON-TRAFFIC LID | 800 LBS  |
| 8" ROADWAY LID     | 1500 LBS |
| 12" EXTENSION      | 850 LBS  |



# 32" X 54" UTILITY VAULT



**HILL COUNTRY**  
CONCRETE PRODUCTS, INC.

PO Box 357  
Kyle, Texas 78640  
512.268.9711  
Austin Line 512.476.5838  
Fax 512.268.0215  
hillcountryconcrete.com