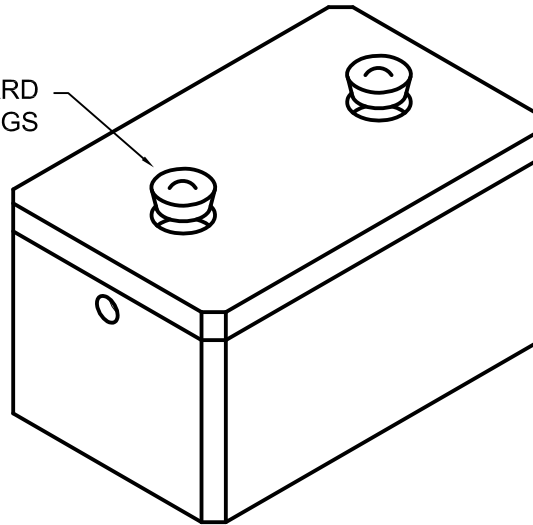


15" DIA. STANDARD CLEANOUT PLUGS



STANDARD FEATURES:

- 750, 1000, 1250 & 1500 GALLON
- 4500 PSI CONCRETE
- 1 OR 2 COMPARTMENTS

NOTES:

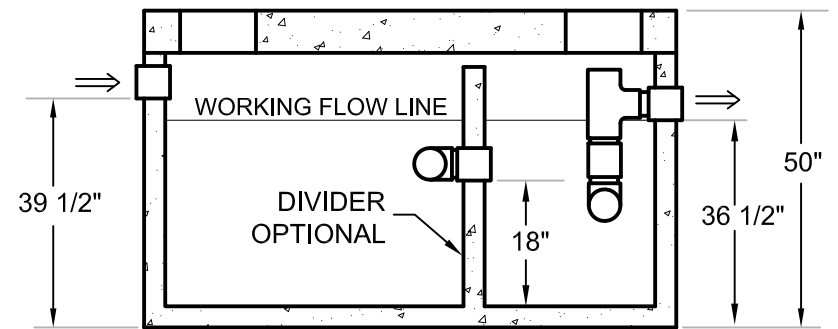
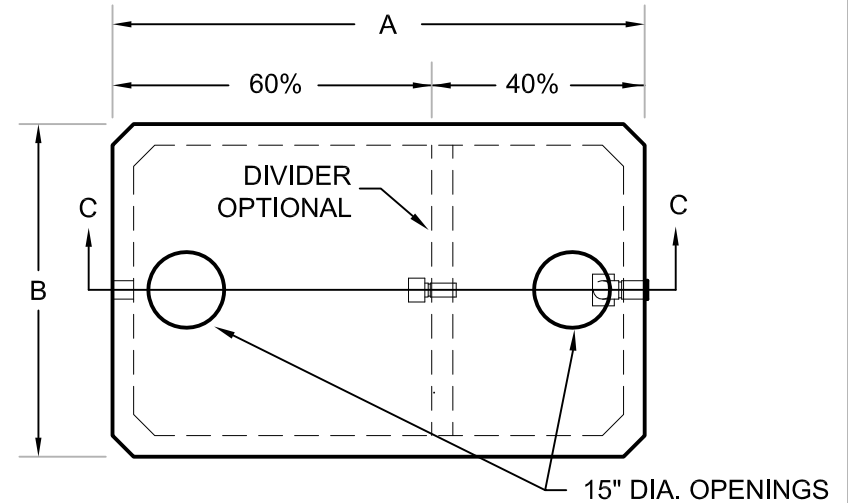
- ALL TANKS ARE COMPLETE WITH INLET GASKET, OUTLET BAFFLE, GROUTED LID, AND CROSS-OVER BAFFLE ON DIVIDERS
- OUTLET IS 4 IN. PVC, SCH. 40. INLET FITTING WILL ACCEPT BOTH 3 IN. AND 4 IN. FITTINGS
- ALL CAPACITIES ARE MINIMUM WORKING CAPACITIES
- WHEN A PUMP CHAMBER IS REQUIRED, ALL 750, 1,000, & 1,250 TANKS HAVE DIVIDERS THAT ARE PART OF THE WALL TO ENSURE A WATER TIGHT COMPARTMENT FOR THE PUMP
- IF USED AS A PUMP TANK, SPECIFY WHICH SIDE WILL HOUSE PUMP
- ADD 3 INCHES TO "A" & "B" DIMENSIONS FOR 4-INCH WALL TANKS
- SEE SITE PREPARATION SHEET FOR IMPORTANT DEPTH LIMITATION INFORMATION

SIZE:

	750	1000	1250	1500
DIMENSION A	98"	124"	132"	144"
DIMENSION B	63"	63"	74"	80"

CAPACITY (GALLONS):

	750	1000	1250	1500
COMPARTMENT 1	450	600	750	900
COMPARTMENT 2	300	400	500	600



SECTION C-C

LOW PROFILE SEPTIC TANKS



PO Box 357
 Kyle, Texas 78640
 512.268.9711
 Austin Line 512.476.5838
 Fax 512.268.0215
hillcountryconcrete.com

HILL COUNTRY
CONCRETE PRODUCTS, INC.