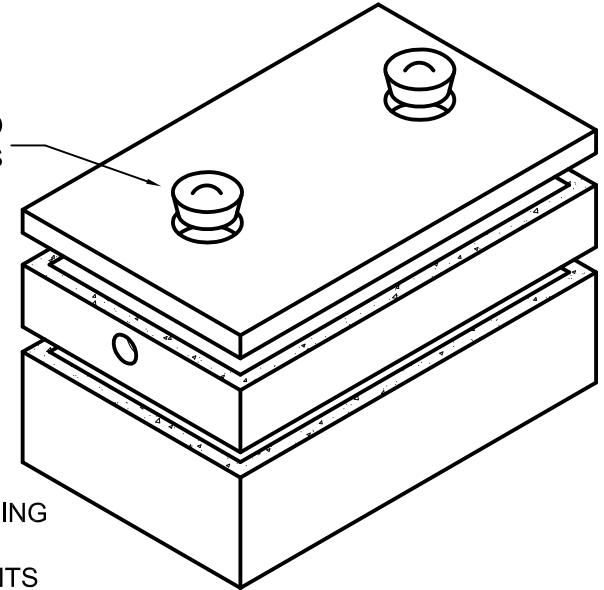


15" DIA. STANDARD  
CLEANOUT PLUGS



STANDARD FEATURES:

- 4500 PSI CONCRETE
- GRADE 60 REINFORCING
- AASHTO H-20 RATED
- 1 OR 2 COMPARTMENTS
- 4" WALLS AND FLOOR

WEIGHT (APPROXIMATE):

TANK	18,500 LBS
24" EXTENSION	4,200 LBS
8" LID	11,000 LBS

NOTES:

- ALL TANKS ARE COMPLETE WITH INLET GASKET, OUTLET BAFFLE, SEALANT BETWEEN TANK AND LID, AND CROSS-OVER BAFFLE ON DIVIDERS
- OUTLET IS 4 IN. PVC, SCH. 40. INLET FITTING WILL ACCEPT BOTH 3 IN. AND 4 IN. FITTINGS
- BUTYL SEALANT APPLIED BETWEEN JOINTS
- ALL CAPACITIES ARE **MINIMUM WORKING CAPACITIES**
- **MAXIMUM BURY DEPTH TO BOTTOM OF TANK: 9 FT**

**4000 GALLON SEPTIC TANK**

**HC  
CP**

**HILL COUNTRY  
CONCRETE PRODUCTS, INC.**

PO Box 357  
Kyle, Texas 78640  
512.268.9711  
Austin Line 512.476.5838  
Fax 512.268.0215  
hillcountryconcrete.com