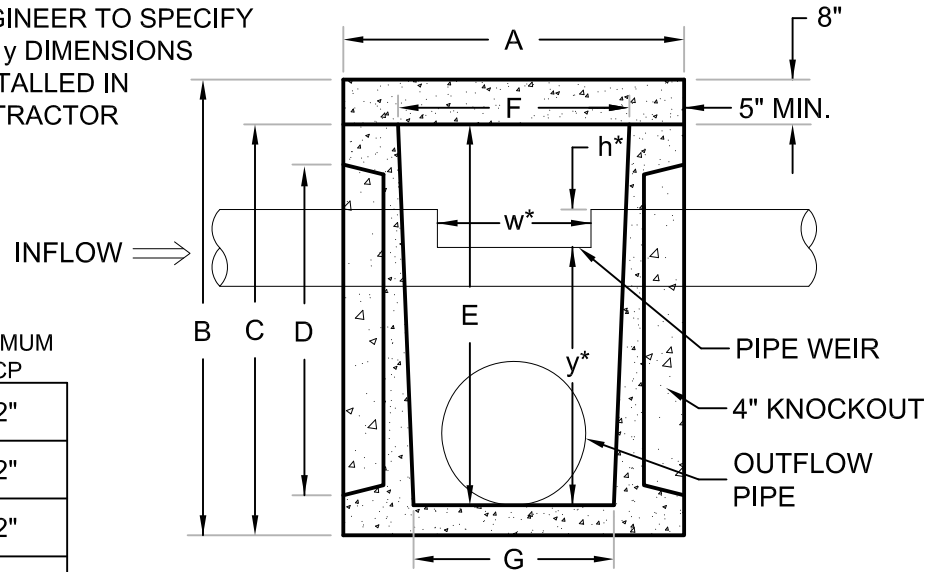
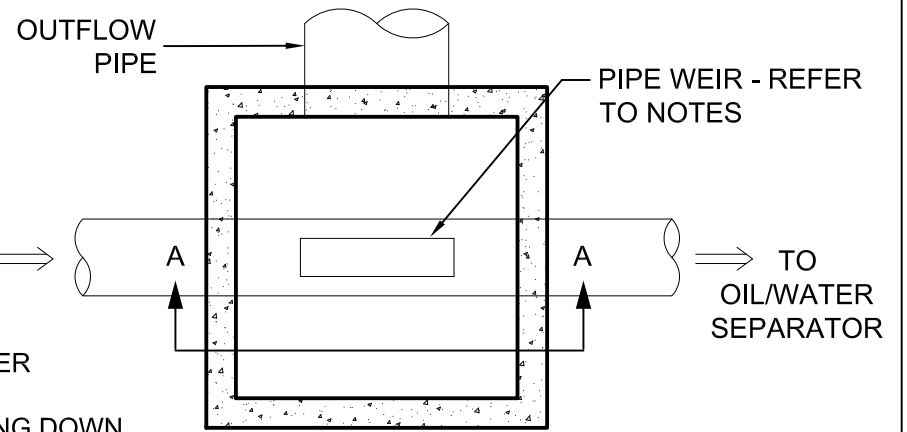


STANDARD FEATURES:

- 4500 PSI CONCRETE
- AASHTO H-20 RATED

NOTES:

- FOR USE WITH OIL / WATER SEPARATOR
- WEIR FORMED BY CUTTING DOWN TOP SECTION OF PIPE
- *PROJECT ENGINEER TO SPECIFY WEIR w, h AND y DIMENSIONS
- PIPE WEIR INSTALLED IN FIELD BY CONTRACTOR



SECTION A-A

SIZE	A	B	C	D	E	F	G	MAXIMUM RCP
18 X 18 X 24	27 $\frac{1}{2}$ "	36"	28"	18"	24"	16"	14 $\frac{3}{8}$ "	12"
18 X 18 X 36	27 $\frac{1}{2}$ "	48"	40"	18"	36"	17"	14 $\frac{3}{8}$ "	12"
18 X 18 X 45	27 $\frac{1}{2}$ "	57"	49"	18"	45"	18"	14 $\frac{3}{8}$ "	12"
24 X 24 X 38	34"	50"	42"	25"	38"	23"	20"	18"
24 X 24 X 45	34"	57"	49"	25"	45"	24"	20"	18"
30 X 30 X 45	40 $\frac{1}{2}$ "	57"	49"	32"	45"	30"	26"	24"

NOTE: VARIABLE HEIGHT EXTENSIONS AVAILABLE

SPLITTER BOX



PO Box 357
 Kyle, Texas 78640
 512.268.9711
 Austin Line 512.476.5838
 Fax 512.268.0215
 hillcountryconcrete.com