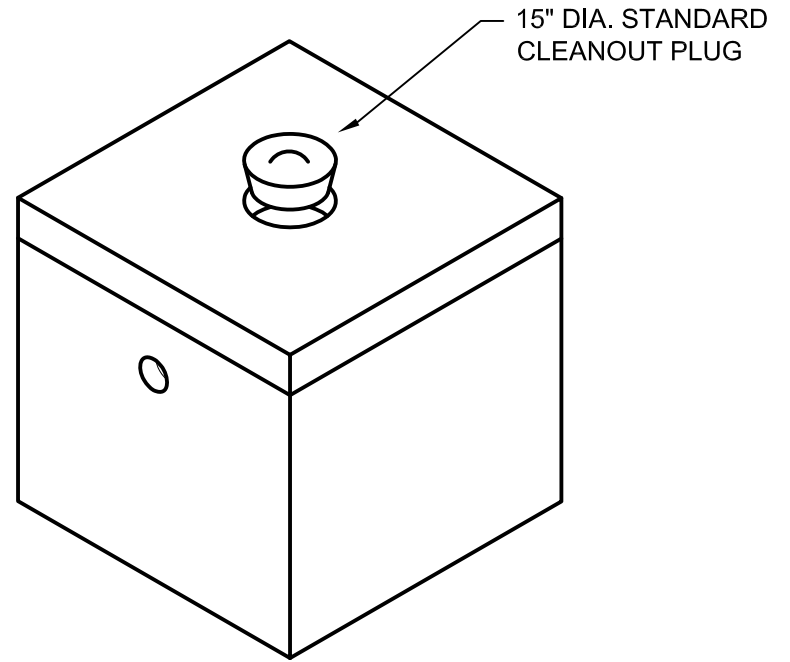


SECTION A-A



STANDARD FEATURES:

- 4500 PSI CONCRETE
- GRADE 60 REINFORCING

NOTES:

- SEE SITE PREPARATION SHEET FOR IMPORTANT DEPTH LIMITATION INFORMATION

500 GALLON PUMP TANK



PO Box 357
 Kyle, Texas 78640
 512.268.9711
 Austin Line 512.476.5838
 Fax 512.268.0215
 hillcountryconcrete.com