

V-1342 STANDARD MANHOLE RING & COVER

**VULCAN
FOUNDRY INC**
POST OFFICE BOX 905
DENHAM SPRINGS, LA 70726
WATS No. 1-800-MANHOLE
LOCAL No. 1-504-665-6151
FAX No. 1-504-665-4306

DRAWN BY: KBC DATE: 5-2-89
APPROVED:
REVISIONS: NEW COVERS 4-28-81

LOAD RATING
HEAVY-DUTY

MATERIAL SPECIFICATION
ASTM A 48 CLASS 30
(CLASS 35 ON REQUEST)

OPEN AREA - SQ. IN.
N/A

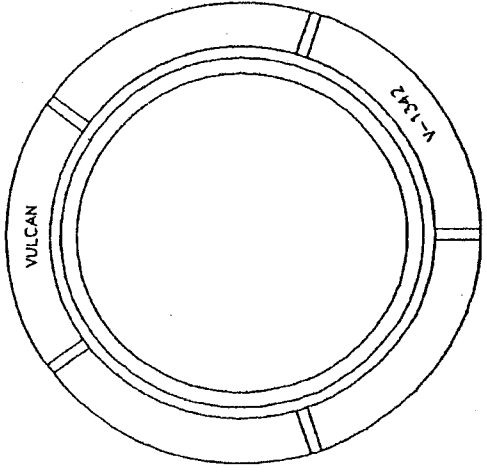
ESTIMATED WEIGHT - LBS.
COVER 140
FRAME 155

TOTAL 295

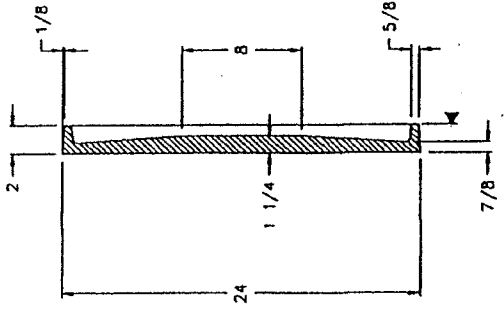
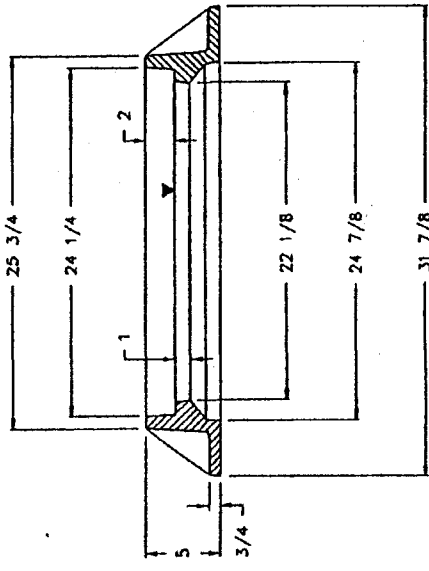
PATTERN BREAKDOWN
V-1342 COVER
V-1342 FRAME

CATALOG NUMBER
V-1342

DRAWING NUMBER SHEET
A392.02 1 OF 1

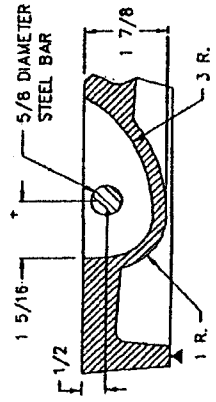


Top Flange Rings Available



COVER SECTION

▼ MACHINED BEARING SURFACE

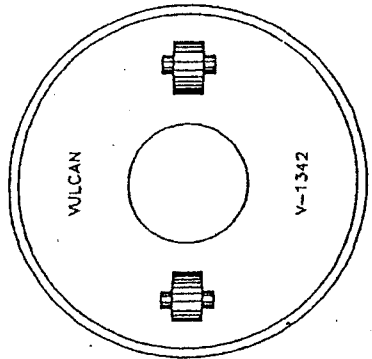


(2) TYPE 4A STEEL PICKBARS

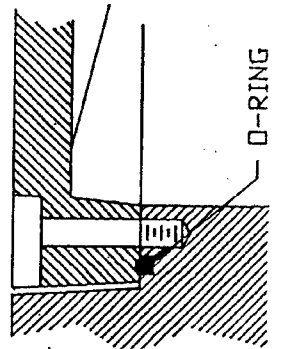
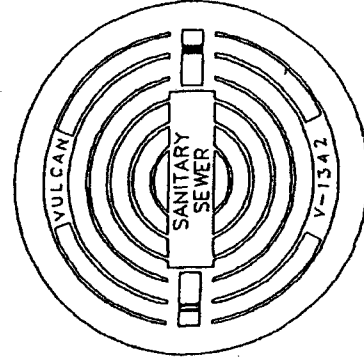
PICKBAR DETAIL

Water-Tight MANHOLE SETS

THESE MANHOLE SETS ARE AVAILABLE IN STANDARD AND WATER-TIGHT VERSIONS. THE WATER-TIGHT VERSIONS FEATURE STAINLESS STEEL BOLTS IN COUNTER SUNK POCKETS AND AN O-RING IN A SQUARE BOTTOM GROOVE IN THE RING SEAT. (THE CLEAR OPENING WILL BE REDUCED SLIGHTLY ON WATER-TIGHT RINGS.)



COVER BACK



O-RING