

STANDARD FEATURES:

- 4500 PSI CONCRETE
- GRADE 60 REINFORCING
- AASHTO H-20 LOADING TO 6 FT. DEEP
- 6" WALLS AND FLOOR
- 8" TRAFFIC LID A.A.S.H.T.O. H-20 RATING
- 3x5 LID (S.A.W.S.). SPECS CAST FLUSH TO TOP OF LID

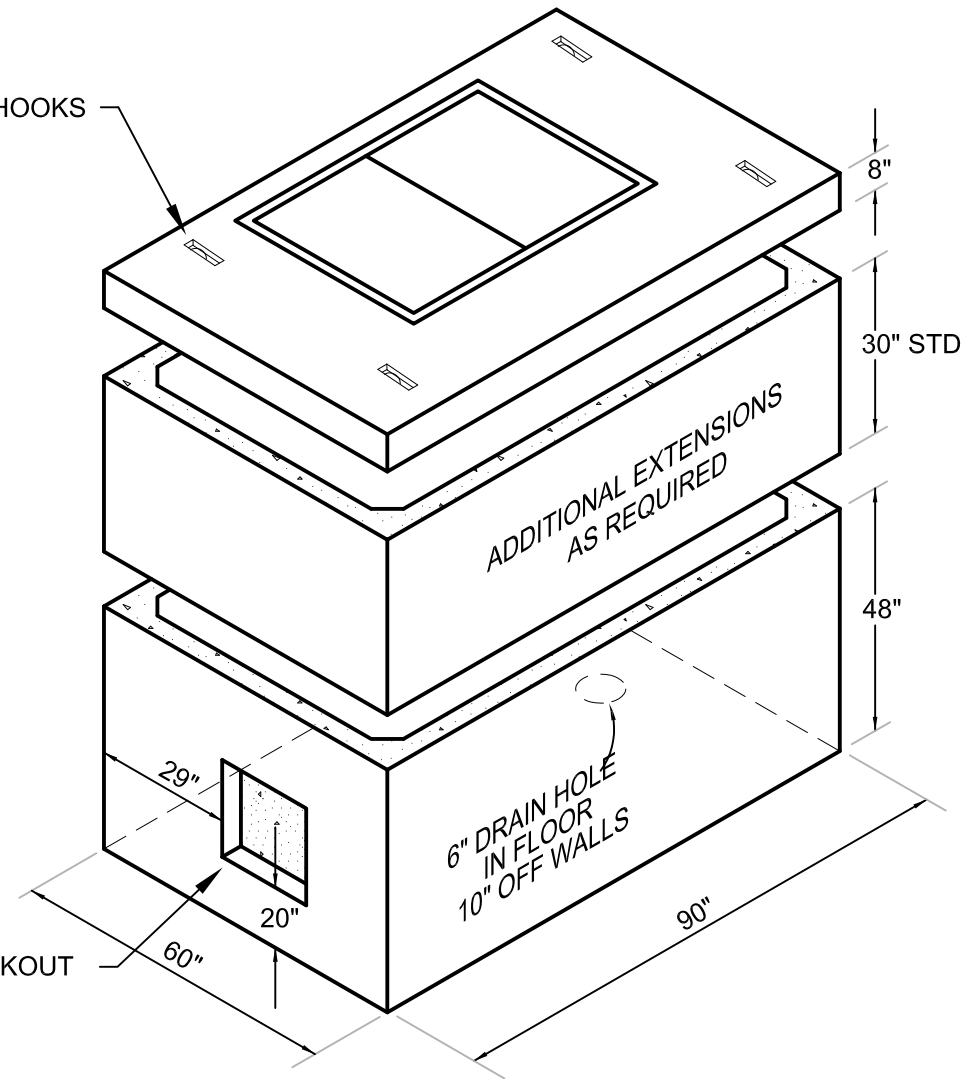
NOTES:

- FLOOR MONOLITHIC TO WALLS
- JOINTS SEALED AT SITE WITH BUTYL RUBBER STRIPS
- MIN I.D. 48"w x 78"l x 72"h
- GALVANIZED LADDER, 67 in. LONG, NON SLIP THREADS INCLUDED
- CONTRACTOR RESPONSIBLE FOR LADDER INSTALL

WEIGHT:

VAULT ASSEMBLY 15,800 LBS.

RECESSED LIFT HOOKS



DOUBLE CHECK DETECTOR ASSEMBLY VAULT APPROVED 7-15-96

SAN ANTONIO WATER SYSTEM (S.A.W.S.) D.C.D.A. VAULT**HILL COUNTRY
CONCRETE PRODUCTS, INC.**

PO Box 357
 Kyle, Texas 78640
 512.268.9711
 Austin Line 512.476.5838
 Fax 512.268.0215
 hillcountryconcrete.com