

STANDARD FEATURES:

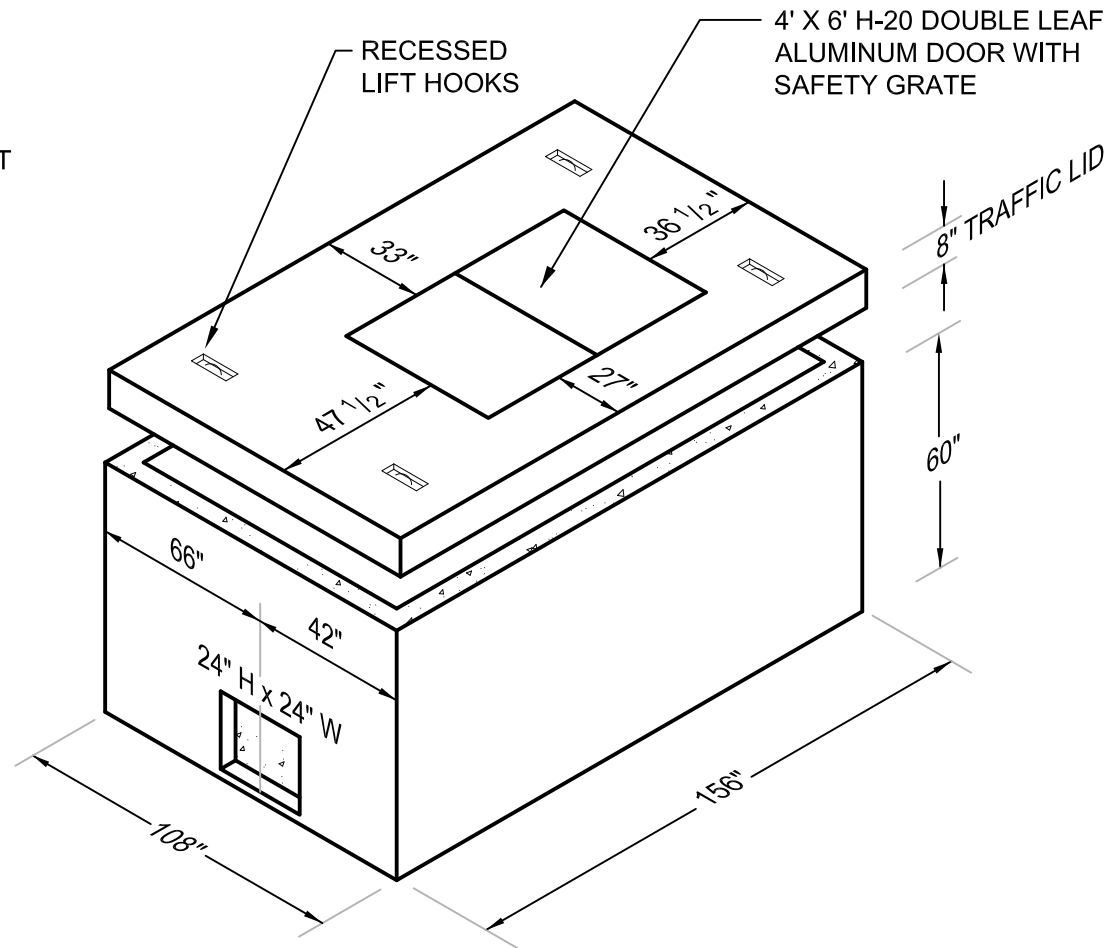
- 4500 PSI CONCRETE
- GRADE 60 REINFORCING BARS
- 6" WALLS
- 18" X 24" THINWALL KNOCKOUTS
- AASHTO H-20 RATING TO DEPTH OF 8 FEET
- AASHTO H-20 TRAFFIC BEARING LID

WEIGHT (APPROXIMATE):

BASE (NO FLOOR)	16,286 LBS
8" LID	12,315 LBS

NOTES:

- NO FLOOR WITHIN VAULT
- APPROVED PER CITY OF AUSTIN STANDARD PRODUCTS LIST NO. WW-298
- **MAXIMUM BURIAL DEPTH: 8 FEET TO BOTTOM OF VAULT**



8' X 12' FIRE DEMAND METER VAULT (MODEL FDMV-8X12)



HILL COUNTRY
CONCRETE PRODUCTS, INC.

PO Box 357
Kyle, Texas 78640
512.268.9711
Austin Line 512.476.5838
Fax 512.268.0215
hillcountryconcrete.com