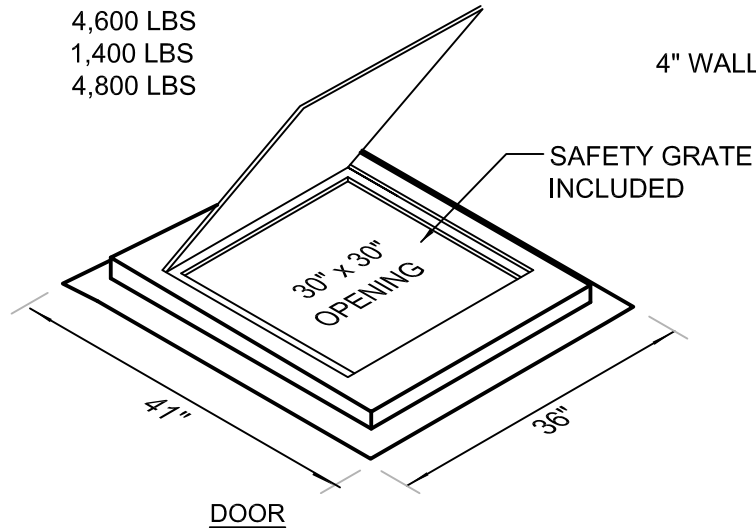


**STANDARD FEATURES:**

- 4500 PSI CONCRETE
- GRADE 60 REINFORCING
- BASE HAS NO FLOOR
- BASE IS AASHTO H-20 RATED TO MAX DEPTH OF 6 FT (EXCLUDES LID)
- 18" X 18" PIPE KNOCKOUTS
- 12" EXTENSION FOR BASE
- 30" X 30" HINGED ALUMINUM DOOR WITH SAFETY GRATE PER CITY OF AUSTIN SPECS

**WEIGHT (APPROXIMATE):**

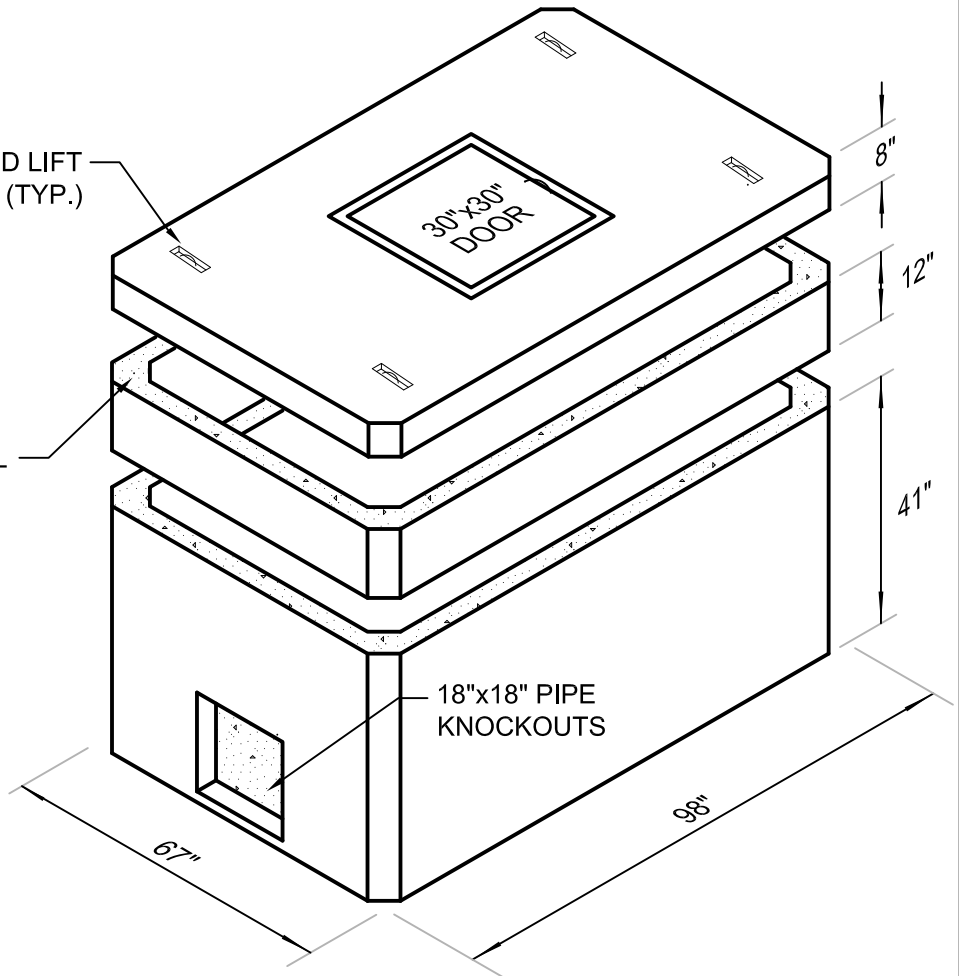
BOX	4,600 LBS
EXTENSION	1,400 LBS
LID	4,800 LBS



RECESSED LIFT HOOKS (TYP.)

4" WALL

18"x18" PIPE KNOCKOUTS

**NOTES:**

- CITY OF AUSTIN APPROVED SINCE 10/1/97 (SPL NO WW-298)

**METER VAULT - 6798-MV-4**



**HILL COUNTRY**  
CONCRETE PRODUCTS, INC.

PO Box 357  
Kyle, Texas 78640  
512.268.9711  
Austin Line 512.476.5838  
Fax 512.268.0215  
hillcountryconcrete.com