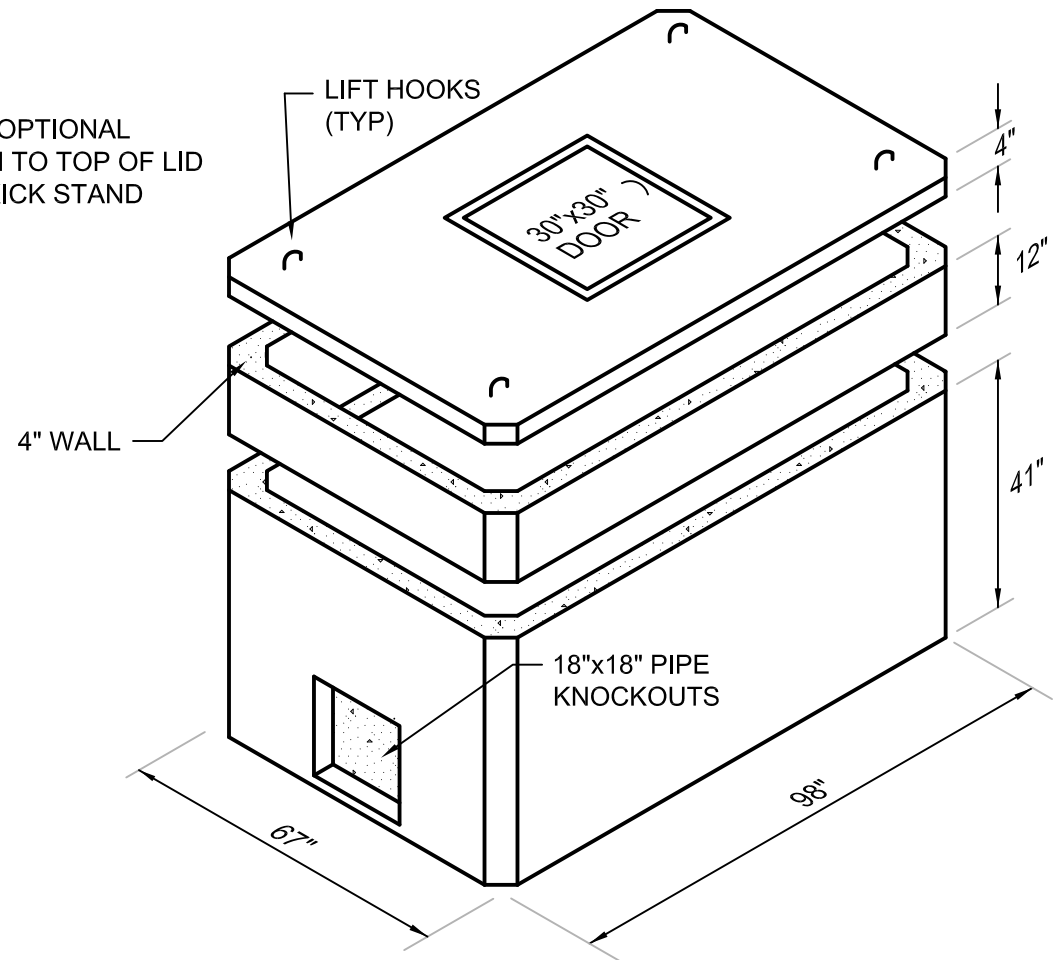
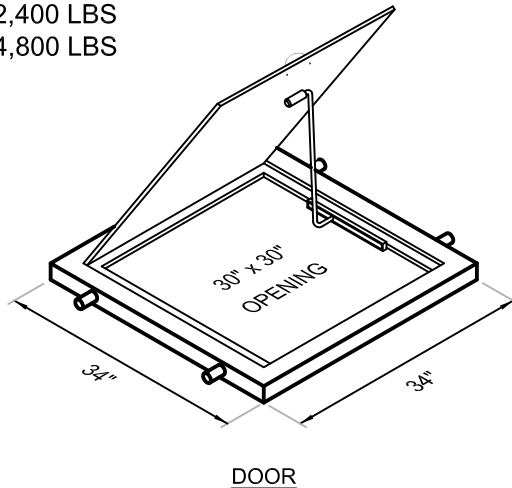


STANDARD FEATURES:

- 4500 PSI MIN CONCRETE
- GRADE 60 REINFORCING
- AASHTO H-20 RATED
- 18" X18" PIPE KNOCKOUTS IN VAULT
- 4" NON-TRAFFIC LID STANDARD, TRAFFIC LID AND DOOR OPTIONAL
- 30" X 30" COLD GALVANIZING COATED DOOR CAST FLUSH TO TOP OF LID
- DOOR HAS DROP HANDLE WITH SELF-LOCKING SAFETY KICK STAND

WEIGHT (APPROXIMATE):

VAULT	4,400 LBS
EXTENSION	1,400 LBS
LID	2,400 LBS
TRAFFIC LID	4,800 LBS

**NOTES:**

- NO FLOOR WITHIN VAULT
- **MAXIMUM BURIAL DEPTH: 6 FEET TO BOTTOM OF VAULT FOR 4" WALLS**
- **6" WALLS FOR MAXIMUM BURIAL DEPTH OF 10 FEET OPTIONAL**

METER VAULT - 6798-MV-1

HILL COUNTRY
CONCRETE PRODUCTS, INC.

PO Box 357
Kyle, Texas 78640
512.268.9711
Austin Line 512.476.5838
Fax 512.268.0215
hillcountryconcrete.com