

STANDARD FEATURES

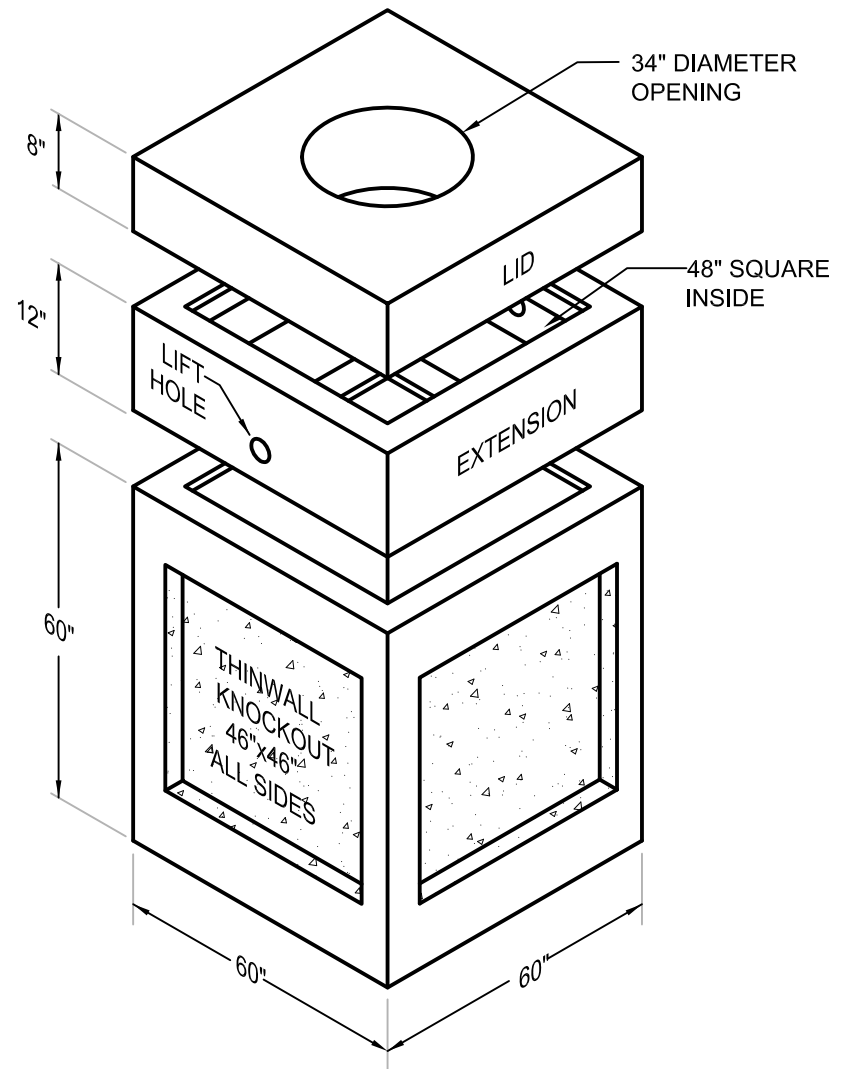
INTERLOCKING EXTENSIONS
 4500 PSI CONCRETE
 GRADE 60 REINFORCED
 AASHTO H-20 RATED
 6" WALLS AND FLOOR
 KNOCKOUTS IN ALL SIDES FOR UP TO 36" RCP
 2" LIFT HOLES IN EXTENSIONS
 8" TRAFFIC LID WITH 32" CLEAR OPENING

WEIGHTS

BASE	6200 LBS.
EXTENSION	1400 LBS.
LID	2200 LBS.

NOTE:

ALLOW FOR MANHOLE RING AND COVER IN TOTAL HEIGHT
 MAXIMUM BURY DEPTH TO BOTTOM OF BOX 14 FT



48"x48" JUNCTION BOX



HILL COUNTRY
CONCRETE PRODUCTS, INC.

PO Box 357
 Kyle, Texas 78640
 512.268.9711
 Austin Line 512.476.5838
 Fax 512.268.0215
hillcountryconcrete.com