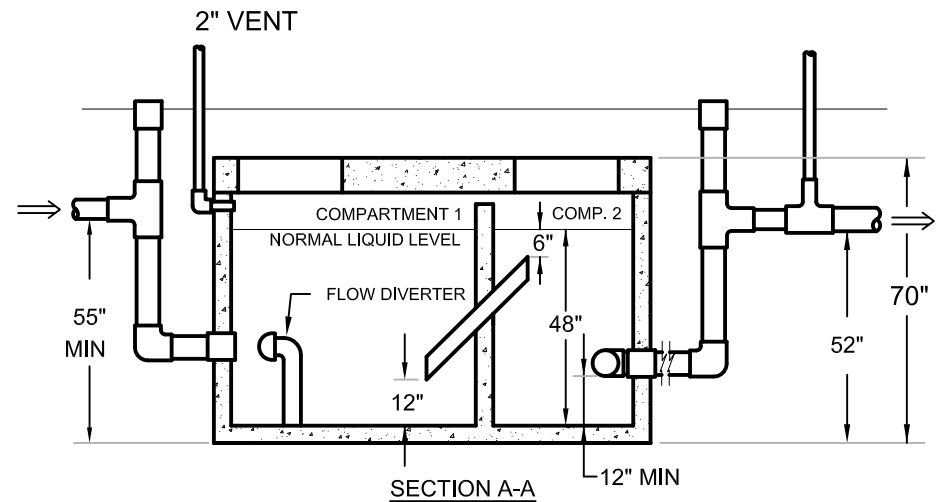
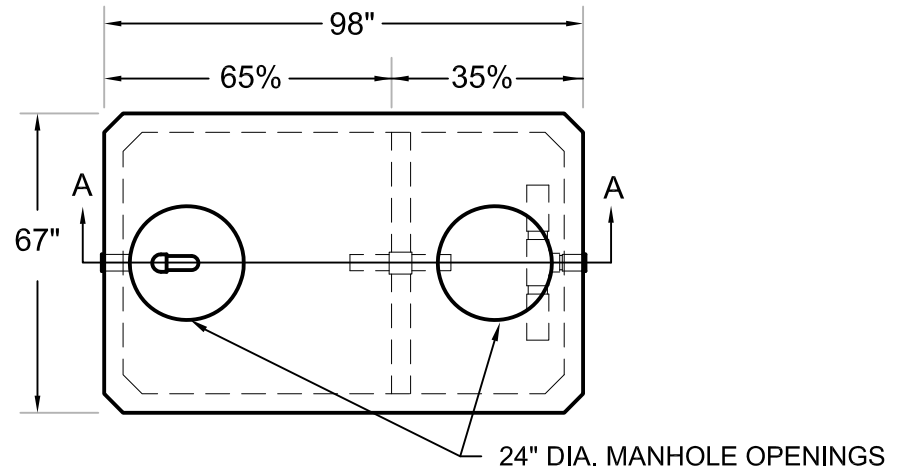
**STANDARD FEATURES:**

- 4500 PSI CONCRETE
- GRADE 60 REINFORCING
- 8" TRAFFIC BEARING LID
- 4" WALLS

NOTES:

- TOTAL HEIGHT CAN VARY 2-3 INCHES DUE TO COMPRESSION OF JOINT SEALANT
- BUTYL RUBBER SEAL INSTALLED BY HCCP AT DELIVERY
- MANHOLE RING AND COVER TO BE FURNISHED BY CONTRACTOR
- TANK HEIGHT IS 70" - ALLOW FOR MANHOLE RING AND COVER IN TOTAL HEIGHT
- STANDARD INLET AND OUTLET FITTINGS ARE 4" SCH 40 PVC
- AASHTO H-20 FOR DEPTHS TO 10 FT. TO BOTTOM OF TANK
- SPECIAL ORDER ONLY

**SAN ANTONIO "SPACE SAVER" GREASE INTERCEPTOR 1000 GALLON**

HILL COUNTRY
CONCRETE PRODUCTS, INC.

PO Box 357
Kyle, Texas 78640
512.268.9711
Austin Line 512.476.5838
Fax 512.268.0215
hillcountryconcrete.com