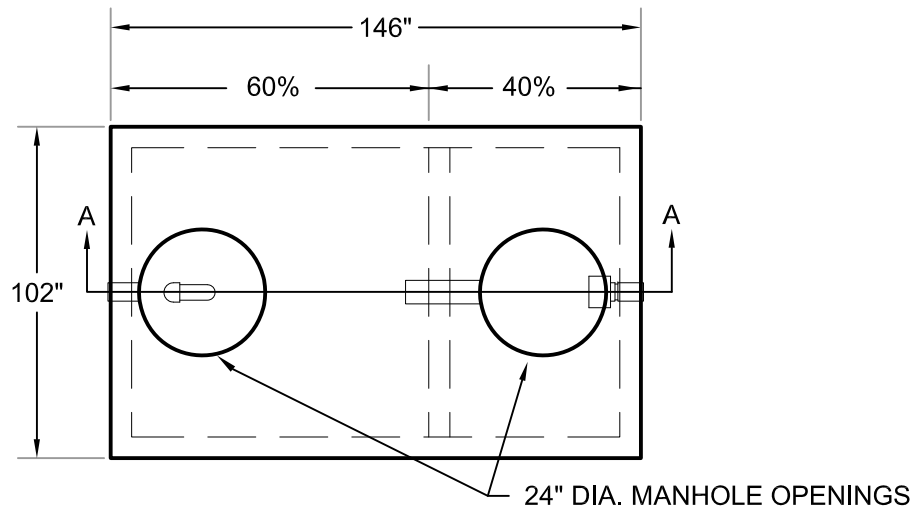
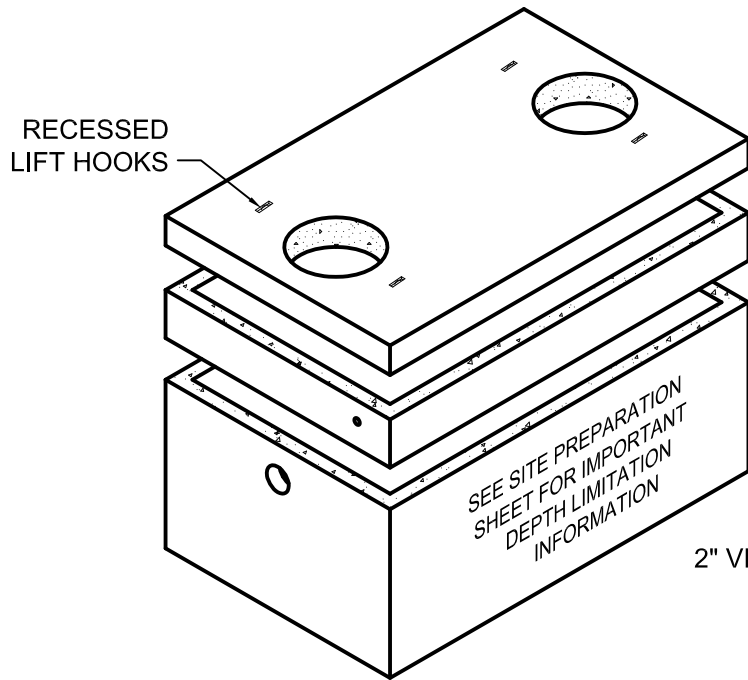


DATE: 05/14/2009 DRAWING NAME: HCOP_GI-SA4000



STANDARD FEATURES:

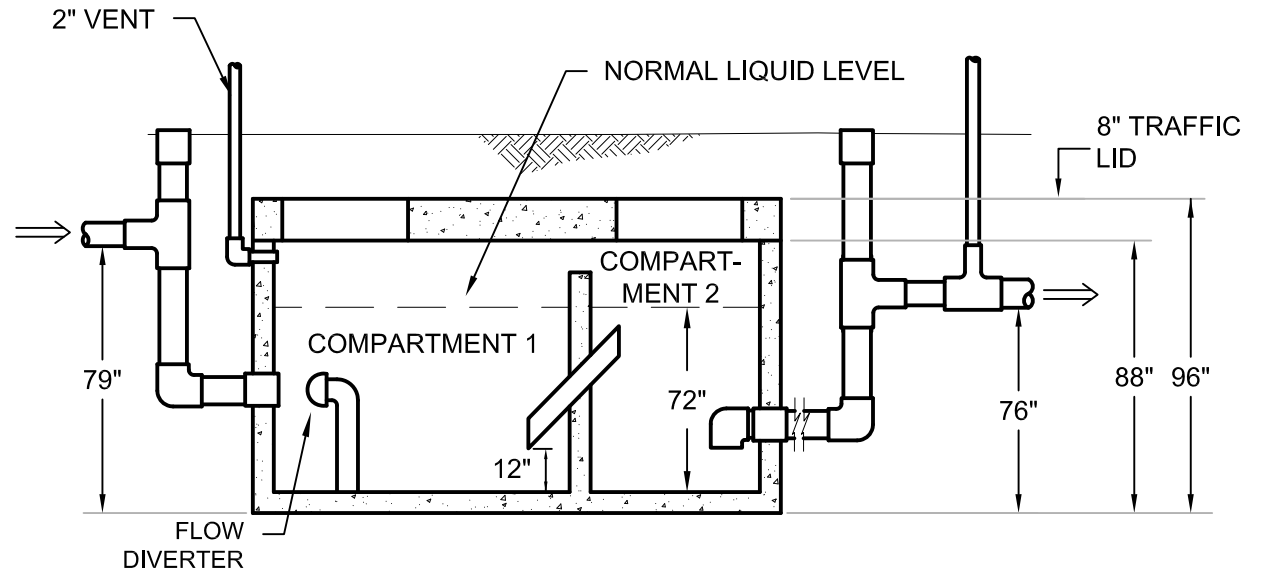
- 4500 PSI CONCRETE
- GRADE 60 REINFORCING
- AASHTO H-20 RATED
- 4" WALLS AND FLOOR

WEIGHT (APPROXIMATE):

TANK	18,500 LBS
24" EXTENSION	4,200 LBS
8" LID	11,000 LBS

NOTES:

- OUTSIDE DIMENSIONS: 102" W X 146" L X 72" H
- ALLOW FOR MANHOLE RING AND COVER IN TOTAL HEIGHT
- STANDARD INLET/OUTLET FITTINGS ARE 6" SCH 40 PVC (4" AVAILABLE)
- **MAXIMUM DEPTH TO BOTTOM OF TANK: 9FT**



SECTION A-A

"SAN ANTONIO" 4000 GALLON GREASE INTERCEPTOR

PO Box 357
 Kyle, Texas 78640
 512.268.9711
 Austin Line 512.476.5838
 Fax 512.268.0215
 hillcountryconcrete.com

"SAN ANTONIO" 4000 GALLON GREASE INTERCEPTOR