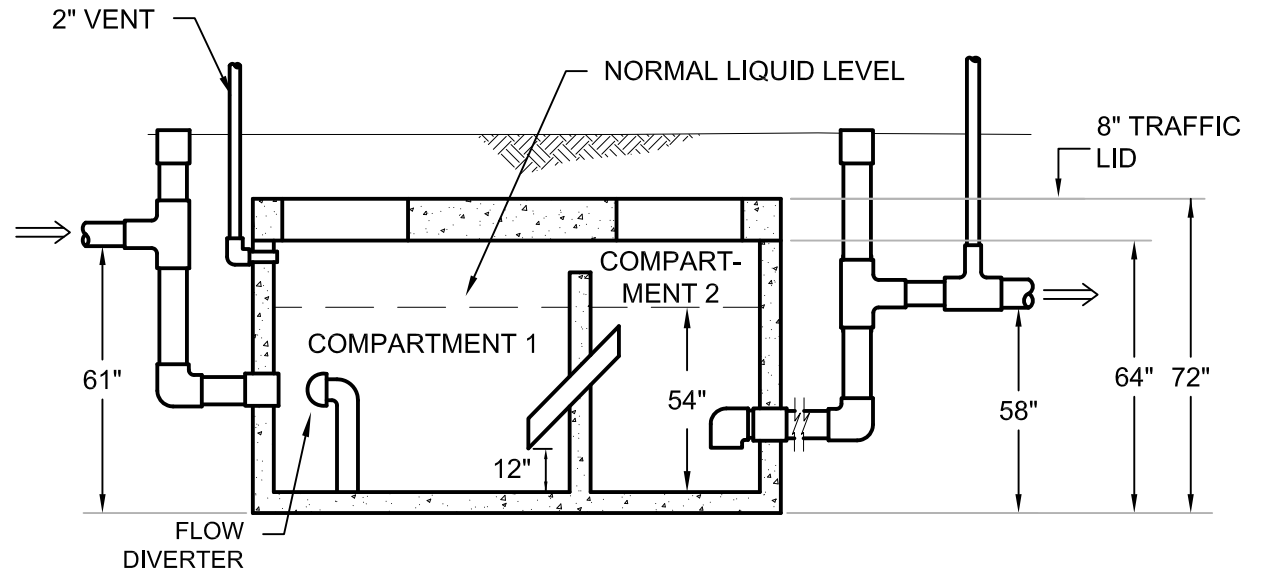
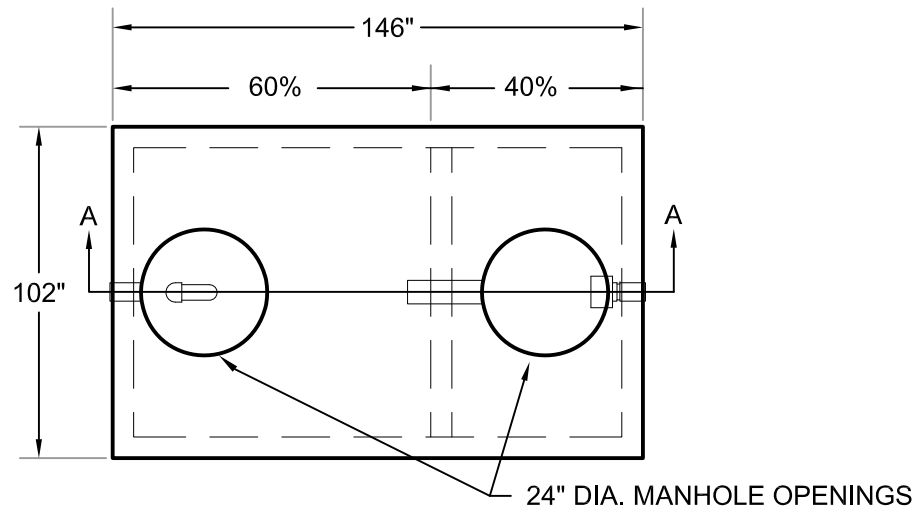
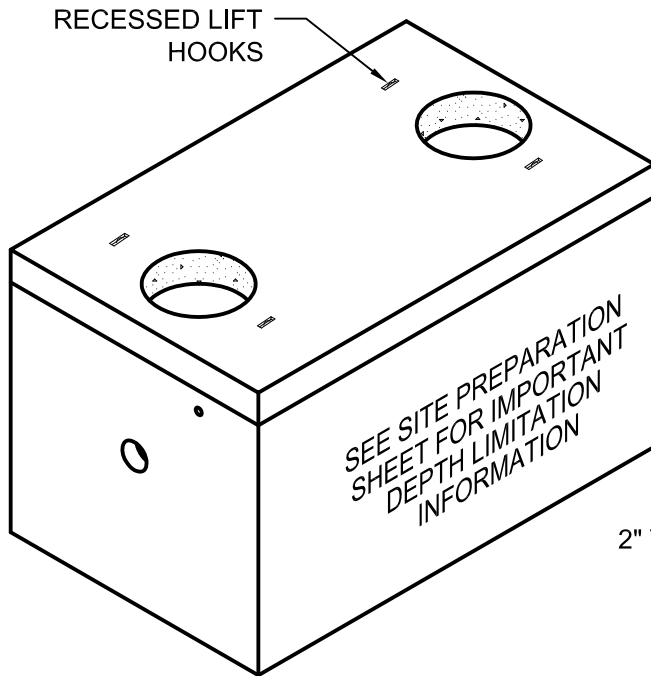


DATE: 05/14/2009

DRAWING NAME: HCOP\_GI-SA3000



**STANDARD FEATURES:**

- 4500 PSI CONCRETE
- GRADE 60 REINFORCING
- AASHTO H-20 RATED
- 4" WALLS AND FLOOR

**WEIGHT (APPROXIMATE):**

TANK	17,500 LBS
8" LID	11,000LBS

**NOTES:**

- OUTSIDE DIMENSIONS: 102" W X 146" L X 72" H
- ALLOW FOR MANHOLE RING AND COVER IN TOTAL HEIGHT
- STANDARD INLET/OUTLET FITTINGS ARE 6" SCH 40 PVC (4" AVAILABLE)
- **MAXIMUM DEPTH TO BOTTOM OF TANK: 9FT**

# "SAN ANTONIO" 3000 GALLON GREASE INTERCEPTOR



**HILL COUNTRY**  
CONCRETE PRODUCTS, INC.

PO Box 357  
Kyle, Texas 78640  
512.268.9711  
Austin Line 512.476.5838  
Fax 512.268.0215  
hillcountryconcrete.com

"SAN ANTONIO" 3000 GALLON GREASE INTERCEPTOR