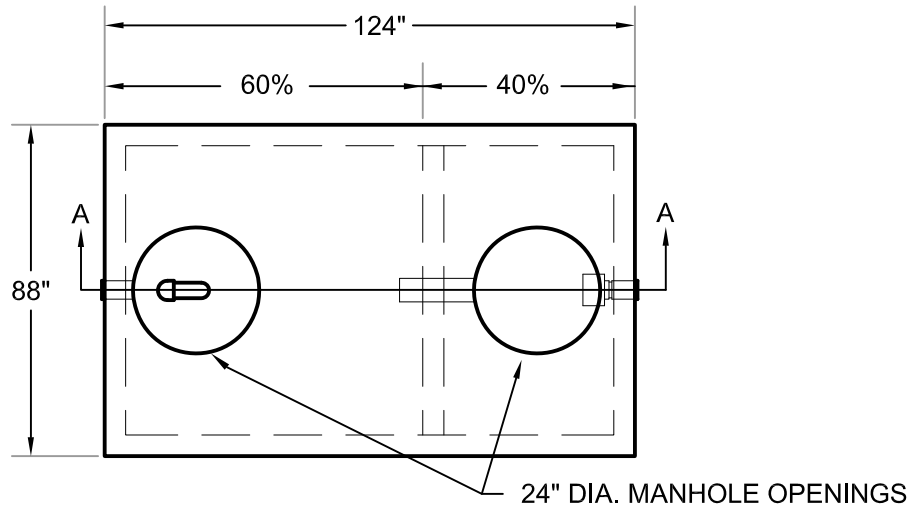
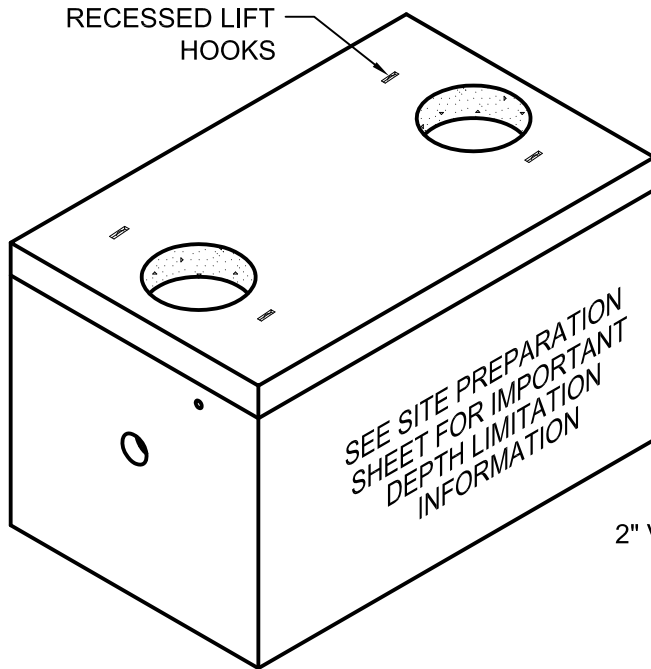


DATE: 10/19/07

DRAWING NAME: HCOP_GI-SA1750



STANDARD FEATURES:

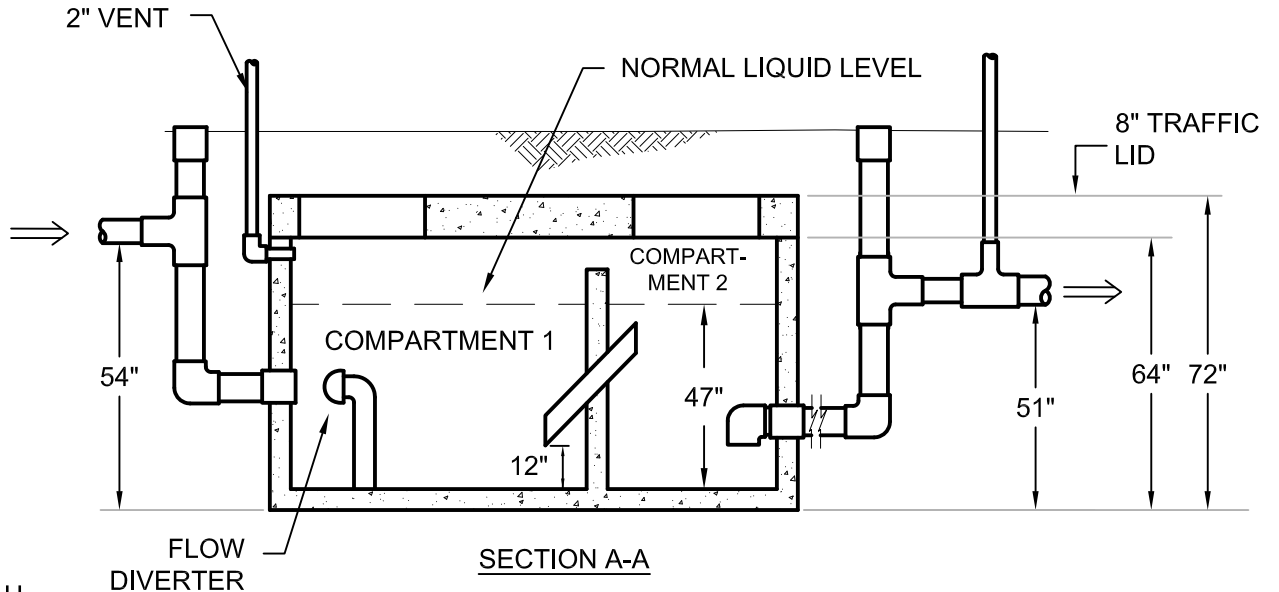
- 4500 PSI CONCRETE
- GRADE 60 REINFORCING
- 8" TRAFFIC BEARING LID
- AASHTO H20 RATED
- 4" WALLS AND FLOOR

WEIGHT (APPROXIMATE):

TANK	14,250 LBS
8" LID	7,535 LBS

NOTES:

- OUTSIDE DIMENSIONS: 88" W X 124" L X 72" H
- ALLOW FOR MANHOLE RING AND COVER IN TOTAL HEIGHT
- STANDARD INLET/OUTLET FITTINGS ARE 4" SCH 40 PVC (6" AVAILABLE)
- **MAXIMUM BURY DEPTH TO BOTTOM OF TANK: 10 FT**



"SAN ANTONIO" 1750 GALLON GREASE INTERCEPTOR

PO Box 357
 Kyle, Texas 78640
 512.268.9711
 Austin Line 512.476.5838
 Fax 512.268.0215
 hillcountryconcrete.com

"SAN ANTONIO" 1750 GALLON GREASE INTERCEPTOR