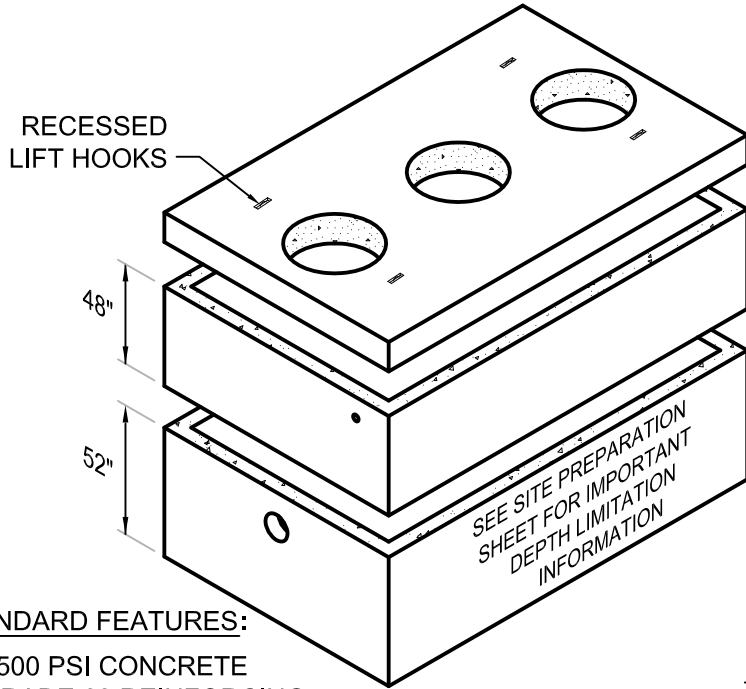


DATE: 04/23/2009

DRAWING NAME: HCOP_GI-6000



STANDARD FEATURES:

- 4500 PSI CONCRETE
- GRADE 60 REINFORCING
- 8" TRAFFIC BEARING LID
- AASHTO H-20 RATED
- 4" WALLS AND FLOOR

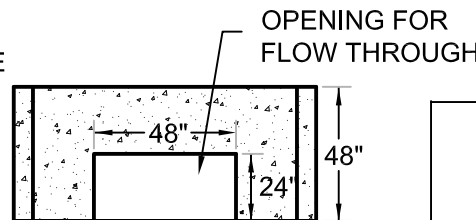
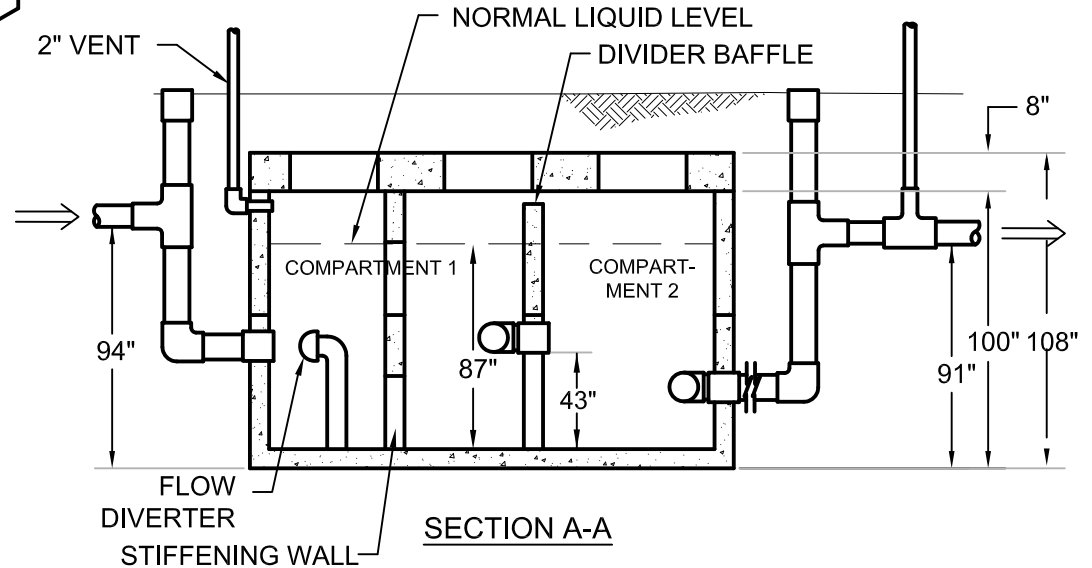
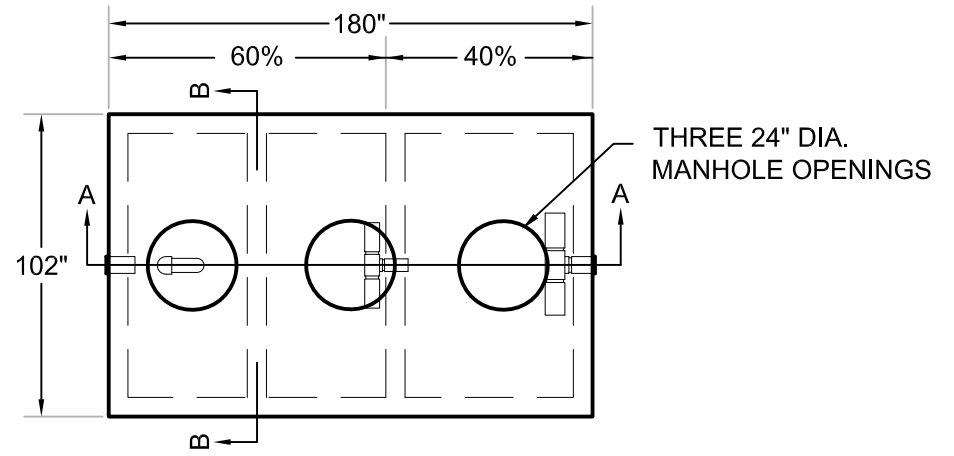
WEIGHT (APPROXIMATE):

TANK	19,170 LBS
48" EXTENSION	12,264 LBS
8" LID	12,650 LBS
TOTAL	43,085 LBS

NOTES:

- GROUND WATER LEVEL MUST BE 6 FT OR MORE BELOW GRADE
- ALLOW FOR MANHOLE RING AND COVER IN TOTAL HEIGHT
- STANDARD INLET/OUTLET FITTINGS ARE 6" SCH 40 PVC (4" AVAILABLE)
- **MAXIMUM BURY DEPTH TO BOTTOM OF TANK**
 AASHTO H-20 LOADING: 11 FT
 NON TRAFFIC (SOIL) LOADING: 13 FT

6000 GALLON GREASE INTERCEPTOR



SECTION B-B
STIFFENING WALL
(IN BASE & EXTENSION SECTIONS)

6000 GALLON GREASE INTERCEPTOR



HILL COUNTRY
CONCRETE PRODUCTS, INC.

PO Box 357
 Kyle, Texas 78640
 512.268.9711
 Austin Line 512.476.5838
 Fax 512.268.0215
 hillcountryconcrete.com