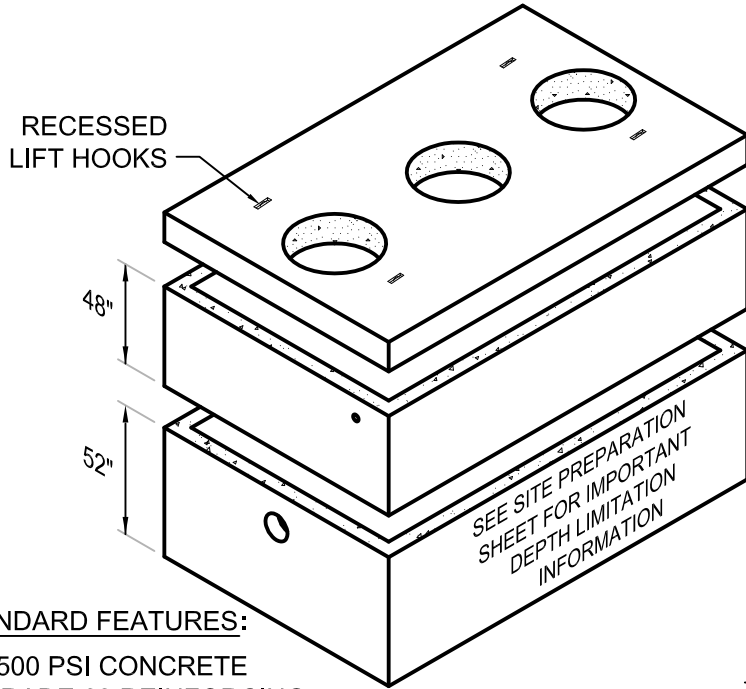


DATE: 05/14/2009

DRAWING NAME: HCOP\_GI-5000



**STANDARD FEATURES:**

- 4500 PSI CONCRETE
- GRADE 60 REINFORCING
- 8" TRAFFIC BEARING LID
- AASHTO H-20 RATED
- 4" WALLS AND FLOOR

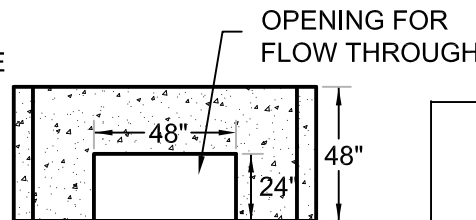
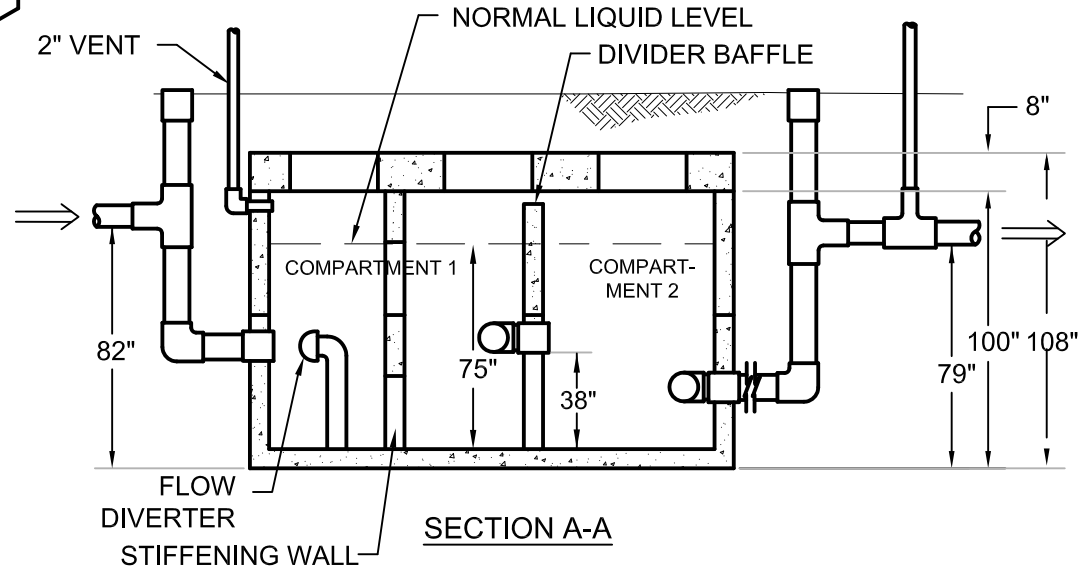
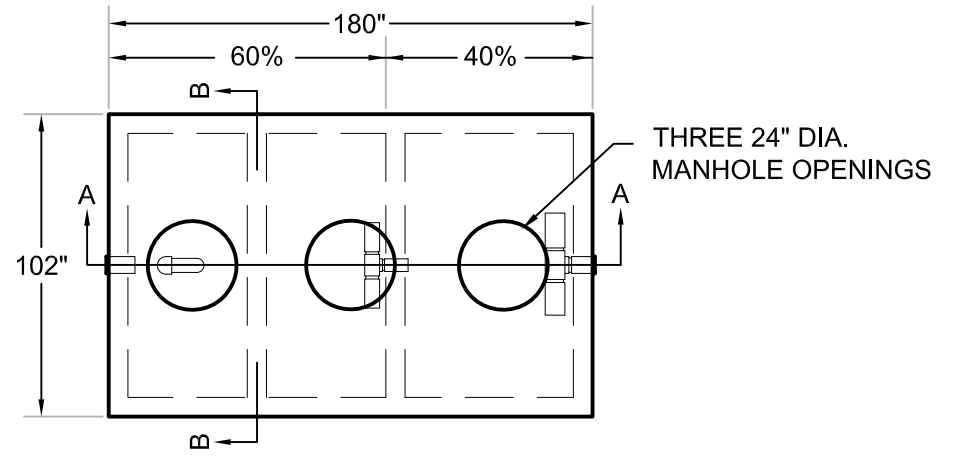
**WEIGHT (APPROXIMATE):**

TANK	19,170 LBS
48" EXTENSION	12,264 LBS
8" LID	12,650 LBS
<b>TOTAL</b>	<b>43,085 LBS</b>

**NOTES:**

- GROUND WATER LEVEL MUST BE 6 FT OR MORE BELOW GRADE
- ALLOW FOR MANHOLE RING AND COVER IN TOTAL HEIGHT
- STANDARD INLET/OUTLET FITTINGS ARE 6" SCH 40 PVC (4" AVAILABLE)
- **MAXIMUM BURY DEPTH TO BOTTOM OF TANK**  
 AASHTO H-20 LOADING: 11 FT  
 NON TRAFFIC (SOIL) LOADING: 13 FT

**5000 GALLON GREASE INTERCEPTOR**



**SECTION B-B**  
STIFFENING WALL  
(IN BASE & EXTENSION SECTIONS)

5000 GALLON GREASE INTERCEPTOR



**HILL COUNTRY**  
CONCRETE PRODUCTS, INC.

PO Box 357  
 Kyle, Texas 78640  
 512.268.9711  
 Austin Line 512.476.5838  
 Fax 512.268.0215  
 hillcountryconcrete.com