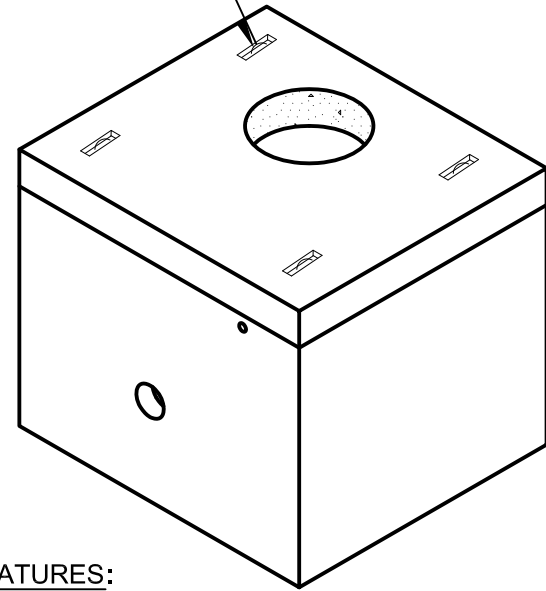


SECTION A-A

500 GALLON GREASE INTERCEPTOR

RECESSED LIFT HOOKS ON TRAFFIC LID ONLY



STANDARD FEATURES:

- 4500 PSI CONCRETE
- GRADE 60 REINFORCING
- 8" TRAFFIC BEARING LID

NOTES:

- ALLOW FOR MANHOLE RING AND COVER IN TOTAL HEIGHT
- STANDARD INLET AND OUTLET FITTINGS ARE 4" SCH 40 PVC
- SEE SITE PREPARATION SHEET FOR IMPORTANT DEPTH LIMITATION INFORMATION
- ADD 3" TO WIDTH/LENGTH FOR 4" WALLS

HILL COUNTRY
CONCRETE PRODUCTS, INC.

PO Box 357
Kyle, Texas 78640
512.268.9711
Austin Line 512.476.5838
Fax 512.268.0215
hillcountryconcrete.com

500 GALLON GREASE INTERCEPTOR