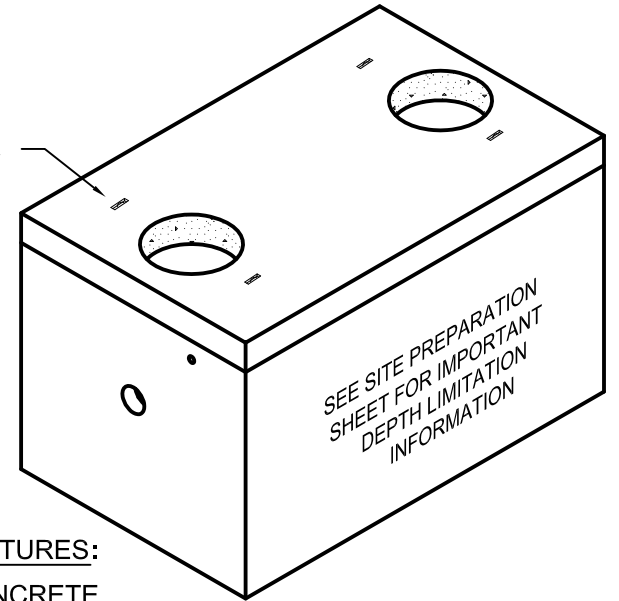


RECESSED LIFT HOOKS



**STANDARD FEATURES:**

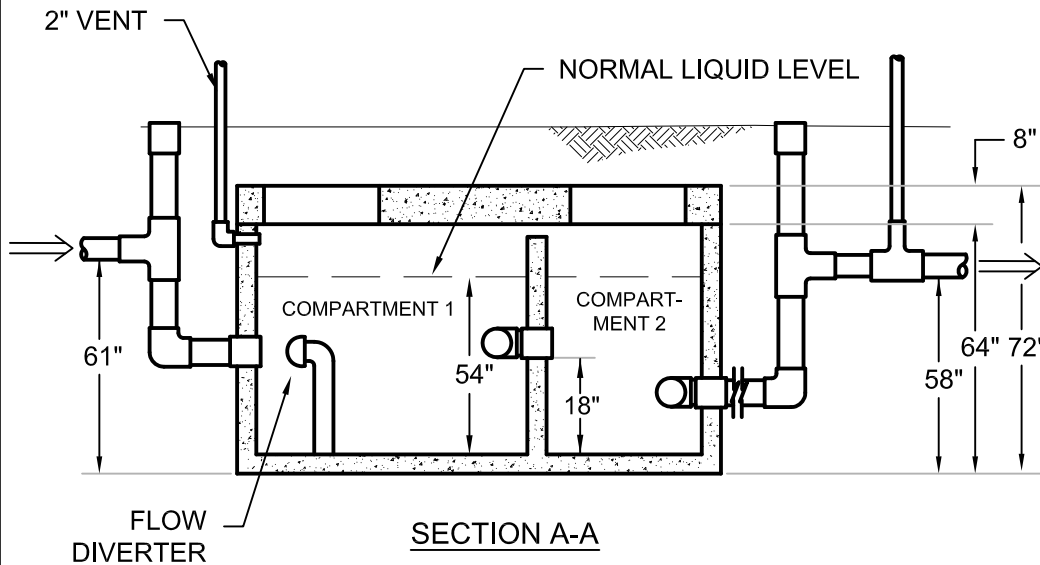
- 4500 PSI CONCRETE
- GRADE 60 REINFORCING
- 8" TRAFFIC BEARING LID
- AASHTO H-20 RATED
- 4" WALLS AND FLOOR

**WEIGHT (APPROXIMATE):**

|        |            |
|--------|------------|
| TANK   | 14,650 LBS |
| 8" LID | 7,535 LBS  |

**NOTES:**

- ALLOW FOR MANHOLE RING AND COVER IN TOTAL HEIGHT
- STANDARD INLET/OUTLET FITTINGS ARE 4" SCH 40 PVC (6" AVAILABLE)
- **MAXIMUM BURY DEPTH TO BOTTOM OF TANK: 10 FT**



**2000 GALLON GREASE INTERCEPTOR**

**HILL COUNTRY**  
CONCRETE PRODUCTS, INC.

PO Box 357  
Kyle, Texas 78640  
512.268.9711  
Austin Line 512.476.5838  
Fax 512.268.0215  
hillcountryconcrete.com