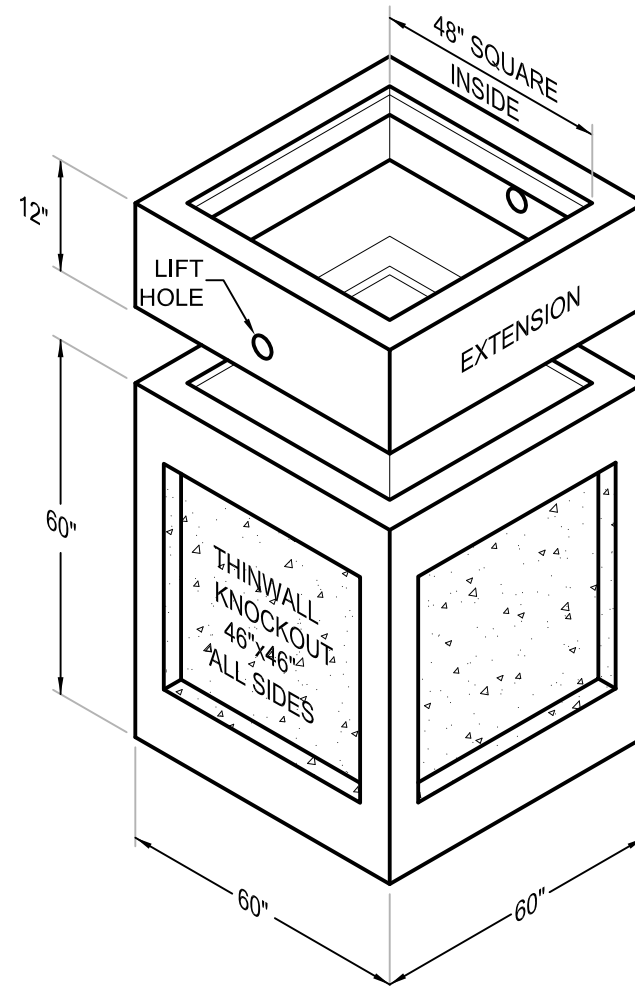
STANDARD FEATURES:

- 4500 PSI CONCRETE
- GRADE 60 REINFORCING
- AASHTO H-20 RATING
- 6" WALLS AND FLOOR
- GALVANIZED STEEL HEAVY DUTY GRATE
- 2" LIFT HOLES IN EXTENSIONS
- KNOCKOUTS IN ALL SIDES FOR UP TO 36" RCP

WEIGHT (APPROXIMATE):

BASE	6,200 LBS
EXTENSION	1,400 LBS



48" X 48" CATCH BASINS WITH INTERLOCKING EXTENSIONS



HILL COUNTRY
CONCRETE PRODUCTS, INC.

PO Box 357
Kyle, Texas 78640
512.268.9711
Austin Line 512.476.5838
Fax 512.268.0215
hillcountryconcrete.com