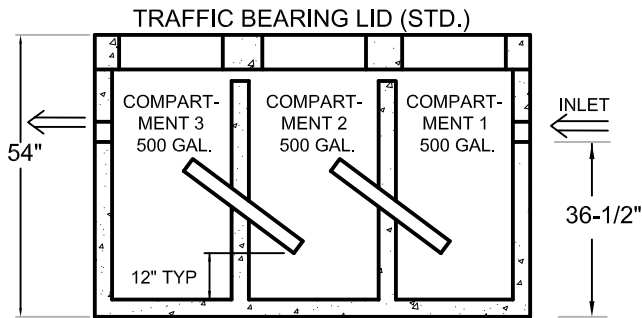
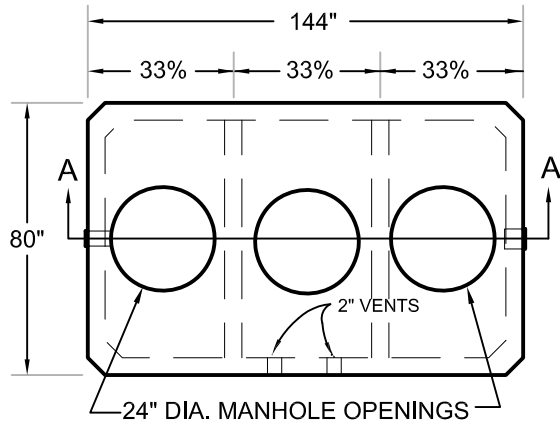
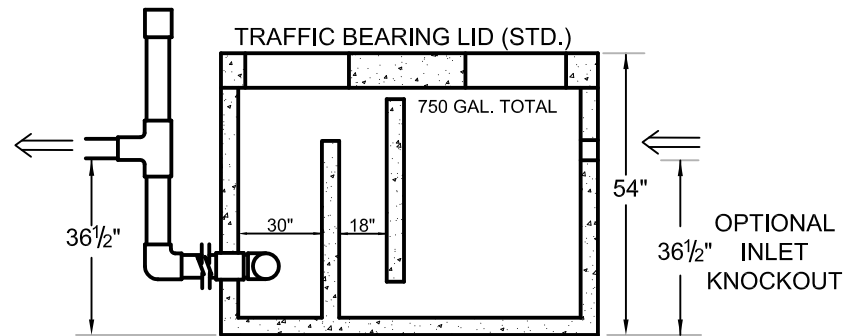
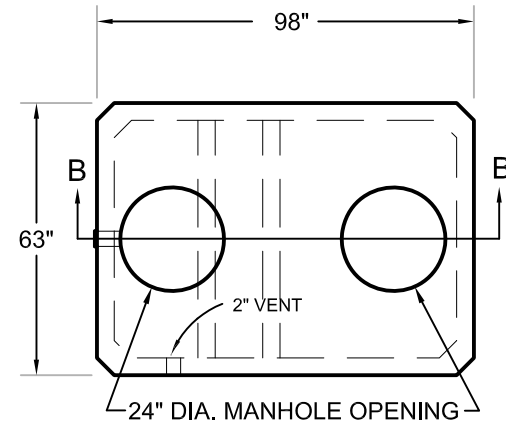


1500 GAL. 3 COMPARTMENT RECLAIM



SECTION A-A

750 GAL. SAND/MUD INTERCEPTOR



SECTION B-B

STANDARD FEATURES:

- 4500 PSI CONCRETE
- 8" TRAFFIC LID AASHTO H-20 RATED
- 4" NON-TRAFFIC LID OPTIONAL

NOTES:

- TOTAL HEIGHT CAN VARY 1"-2" DUE TO COMPRESSION OF JOINT SEALANT
- TANK HEIGHT 4" SHORTER WITH NON-TRAFFIC LID
- SEE SITE PREPARATION SHEET FOR IMPORTANT DEPTH LIMITATION INFORMATION

LOW PROFILE CAR WASH PACKAGE



HILL COUNTRY
CONCRETE PRODUCTS, INC.

PO Box 357
Kyle, Texas 78640
512.268.9711
Austin Line 512.476.5838
Fax 512.268.0215
hillcountryconcrete.com